



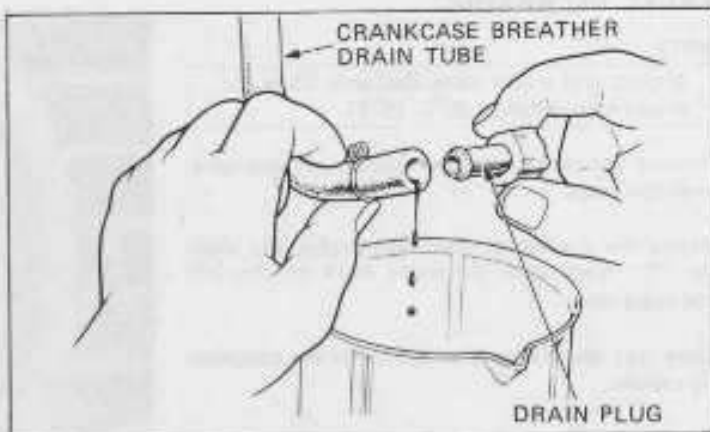
### CRANKCASE BREATHER (USA only)

Remove the plug from the drain tube to drain deposits.

Install the drain plug.

#### NOTE

Service more frequently when ridden in rain or at full throttle, or if the deposit level can be seen in the drain tube transparent section.



### SPARK PLUG

Clean any dirt from around the spark plug base.

Disconnect the spark plug cap.

Remove and discard the spark plug.

Measure the new spark plug gap using a wire-type feeler gauge.

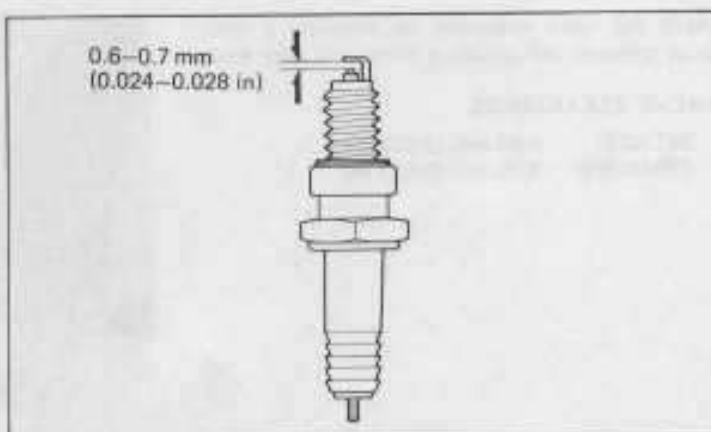
**SPARK PLUG GAP: 0.6–0.7 mm (0.024–0.028 in)**

Adjust by bending the side electrode carefully.

With the plug washer attached, thread the new spark plug in by hand to prevent cross-threading.

Tighten the spark plug another 1/2 turn with a spark plug wrench to compress the plug washer.

Connect the spark plug cap.



#### RECOMMENDED SPARK PLUG:

( ) Canadian type

Standard	NGK C7HS (CR7HS) ND U22FS (U22FSR-L)
For cold climate (Below 5°C, 41°F)	NGK C6H (CR6H) ND U20FS (U20FSR-L)
For extended high speed riding	NGK C9H (CR8HS) ND U24FB (U24FSR-L)