

3. ENGINE

3.1 ENGINE

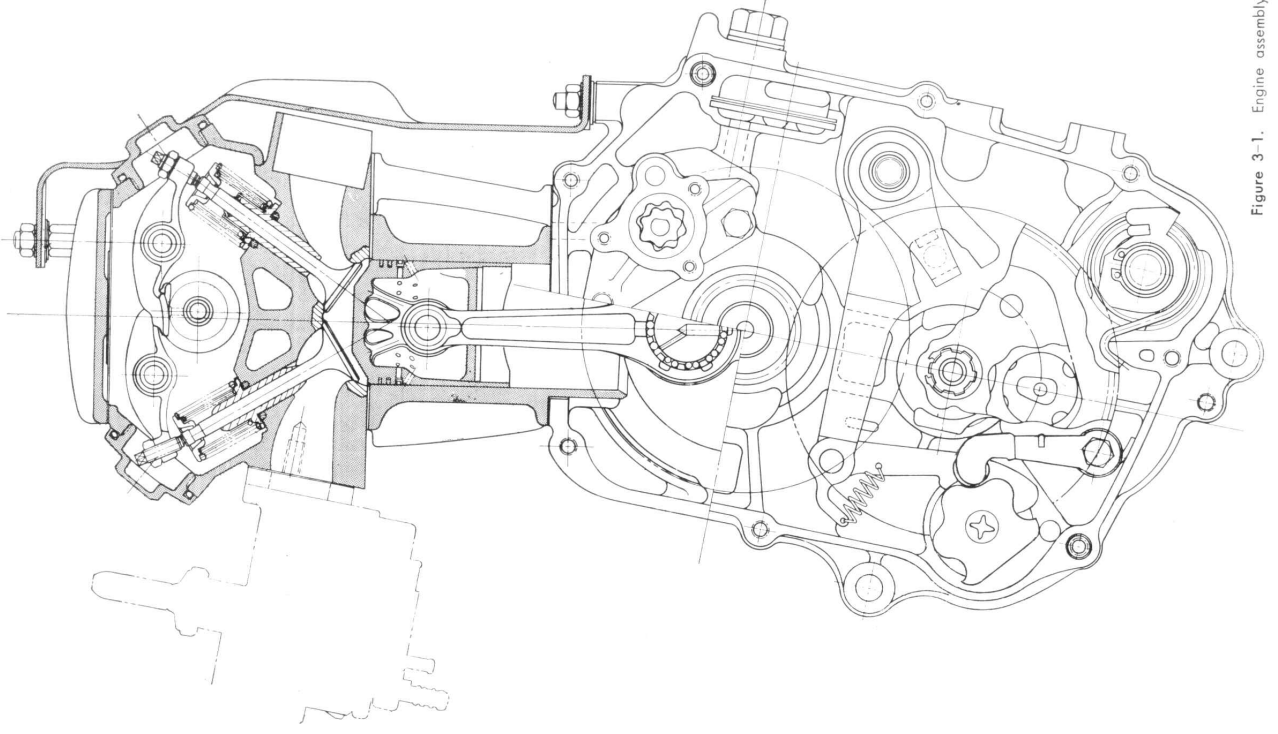


Figure 3-1. Engine assembly diagram (1)