

H 3

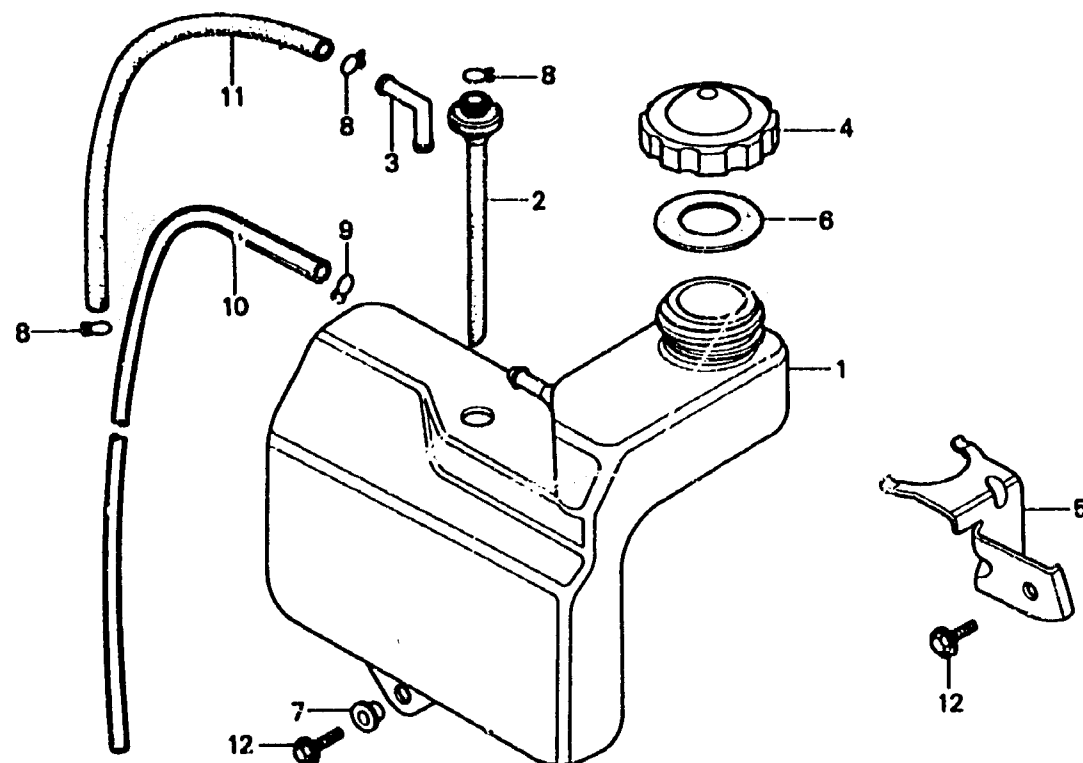
F-2

Reserve tank

Réservoir

Reservotank

Depósito de reserva



FWD

B463-27

| Item d'entretien | T.D.R. | N° de réf. | N° de pièce | Description | N° de requis GL1100 | | | | | N° de série | Code de zone | |
|--|--------|------------|----------------|--|---------------------|----|----|---|----|-------------|--------------|----|
| | | | | | A | IA | DA | B | IB | | | DB |
| RESERVOIR DE RESERVE (TYPE GL1100IA,IA,DA,DB 0,3) | 0.2 | 1 | 19101-463-000 | RESERVOIR DE RESERVE | 1 | 1 | 1 | 1 | 1 | 1 | | |
| | | 2 | 19102-463-000 | TUYAU DE NIVEAU | 1 | 1 | 1 | 1 | 1 | 1 | | |
| | | 3 | 19103-463-000 | RACCORD DE TUBE | 1 | 1 | 1 | 1 | 1 | 1 | | |
| | | 4 | 19104-415-000 | BOUCHON DE RESERVOIR DE RESERVE | 1 | 1 | 1 | 1 | 1 | 1 | | |
| | | 5 | 19105-463-000 | APPUI DE RESERVOIR DE RESERVE | 1 | 1 | 1 | 1 | 1 | 1 | | |
| | | 6 | 19106-415-000 | JOINT DE RESERVOIR DE RESERVE | 1 | 1 | 1 | 1 | 1 | 1 | | |
| | | 7 | 90121-102-000 | COLLIER B DE FIXATION DE BOITIER DE FILTRE A AIR | 1 | 1 | 1 | 1 | 1 | 1 | | |
| | | 8 | 95002-02120 | PINCE B12 POUR TUBE | 3 | 3 | 3 | 3 | 3 | 3 | | |
| | | 9 | 95002-80000 | PINCE C12 POUR TUBE | 1 | 1 | 1 | 1 | 1 | 1 | | |
| | | 10 | 95003-23103-10 | TUBE VINYLE, 8X12X1030 | 1 | 1 | 1 | 1 | 1 | 1 | | |
| | | 11 | 95005-80460-30 | TUBE, 8X460 | 1 | 1 | 1 | 1 | 1 | 1 | | |
| | | 12 | 95700-06012-08 | BOULON DE BRIDE, 6X12 | 2 | 2 | 2 | 2 | 2 | 2 | | |