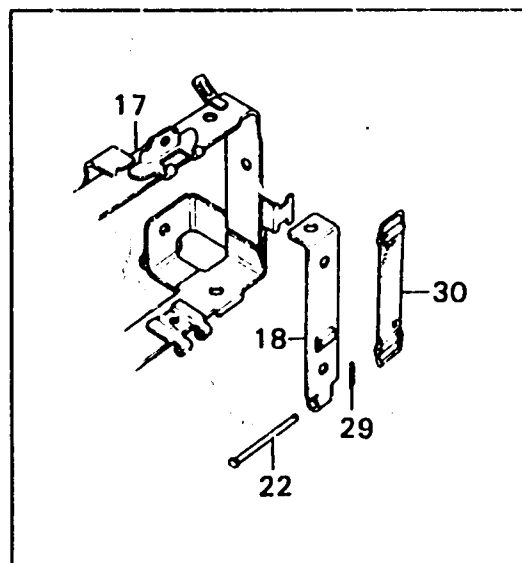
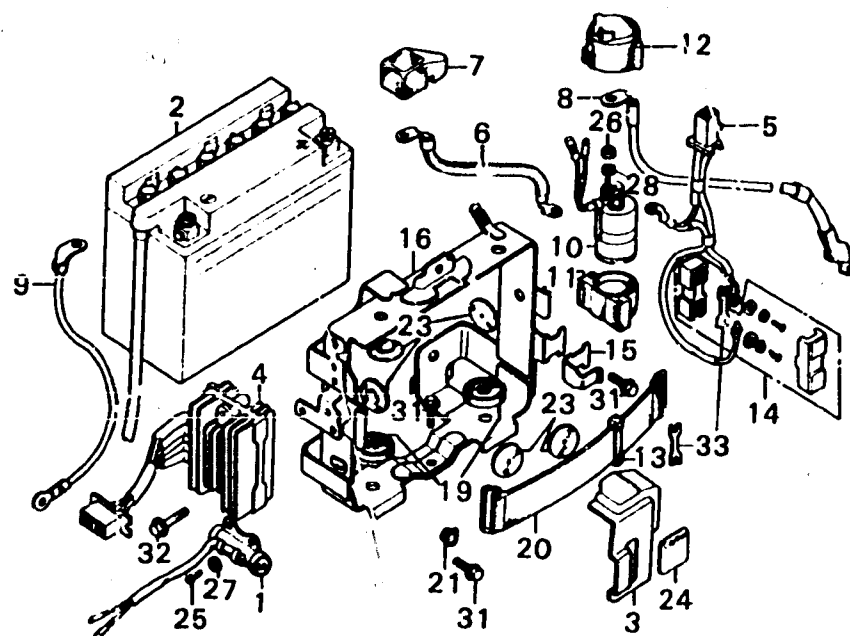


L 5

F-28

Battery • Silicon rectifier



8371-43

Service item	F.R.T.	Ref. No.	Part No.	Description	Reqd. No.			Serial No.	Area code
					GL1000	GL1000	LTDK1 K2		
		18	50326-371-000	PLATE, BATTERY SUPPORT		1	2040166	DK,DM,E,ED,F,G,U	
		19	50328-371-000	RUBBER A, BATTERY MOUNT	2	2			
		20	50332-371-000	BAND, BATTERY	1	1			
						1	2040165		
		21	51404-044-030	RUBBER, FR. CUSHION REBOUND STOPPER	1	1	1		
		22	83109-371-000	PIN, SHELTER HINGE			1	2040166	DK,DM,E,ED,F,G,U
		23	83618-323-000	RUBBER, BATTERY BOX	6	6	6		
		24	87506-371-670	MARK, BATTERY CAUTION	1	1	1		
		25	93500-05008-0A	SCREW, PAN, 5X8	2	2	2		
		26	94001-06000	NUT, HEX., 6MM	2	2	2		
		27	94111-05000	WASHER, SPRING, 5MM	2	2	2		
		28	94111-06000	WASHER, SPRING, 6MM	2	2	2		
		29	94201-12100	PIN, SPLIT, 1.2X10			1	2040166	DK,DM,E,ED,F,G,U
		30	95012-15000	BAND D, BATTERY			1	2040166	DK,DM,E,ED,F,G,U
							1		
		31	95700-06012-08	BOLT, FLANGE, 6X12	3		3		
			91582-371-980	BOLT, FLANGE, 6X12		3			
		32	95700-06032-00	BOLT, FLANGE, 6X32	2	2	2		
		33	98200-53000	FUSE F (30A)	2	2	2		

1979.04.10

L5