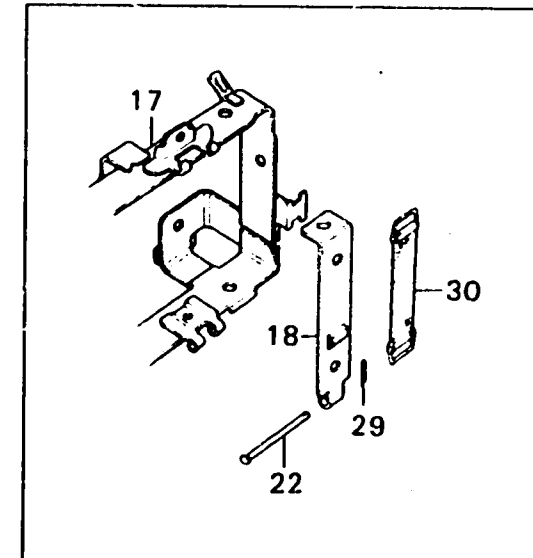
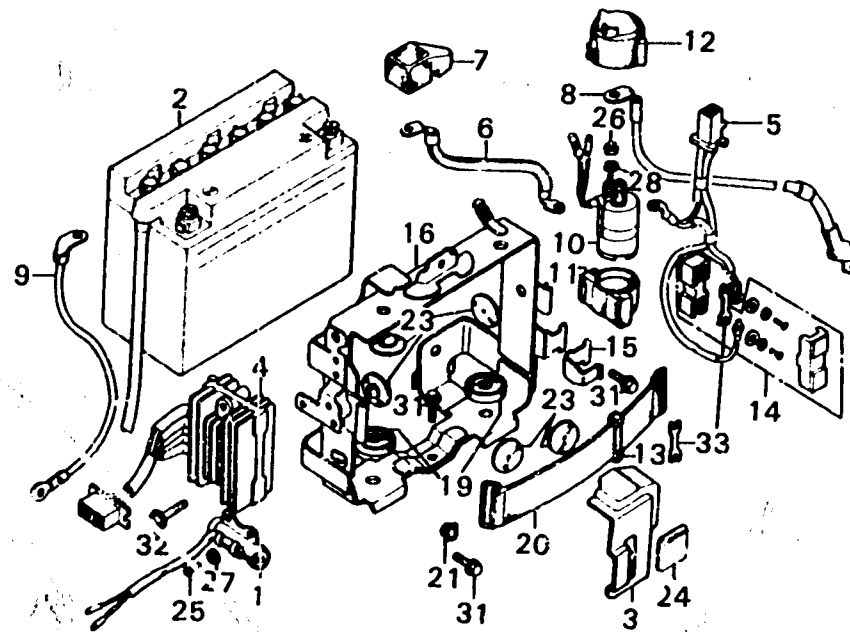


L 4

F-28

Battery • Silicon rectifier



B371-43

Service item	F.R.T.	Ref. No.	Part No.	Description	Reqd. No.		Serial No.	Area code
					GL1000	GL1000 LTDK1 K2		
BATTERY BOX	0.4	1	30280-371-000	CONDENSER COMP.	1	1 1 1		
STARTER MOTOR CABLE	0.3	2	31500-371-671	BATTERY ASSY. (YUASA)	1		1020150	A
CONDENSER/SILICON RECTIFIER ASSY./ BATTERY	0.2		31500-371-672	BATTERY ASSY.	1		1020151	A
•SUB CORD ASSY. A.			31500-371-681	BATTERY ASSY.	1	1 1 1		A
•STARTER BATTERY CABLE/BATTERY EARTH CABLE					1	1 1		CM,DK,DM,E,ED,F,G,U
•STARTER MAGNETIC SWITCH ASSY. MAIN FUSE BOX ASSY.	0.1	3	31561-371-000	COVER, BATTERY	1	1		CM,DK,DM,E,ED,F,G,U
		4	31700-371-000	RECTIFIER ASSY., SILICON	1	1 1 1	2040165	
		5	32213-371-000	SUB CORD ASSY. A	1	1 1 1		
		6	32401-371-000	CABLE, STARTER BATTERY	1	1 1 1		
		7	32412-371-000	COVER, BATTERY TERMINAL		1	2040166	DK,DM,E,ED,F,G,U
		8	32420-371-000	CABLE, STARTER MOTOR	1	1 1 1		
		9	32601-371-000	CABLE, BATTERY EARTH	1	1 1 1		
		10	35850-371-670	SWITCH ASSY., STARTER MAGNETIC	1	1 1 1		
		11	35856-371-000	SUSPENSION, MAGNETIC SWITCH	1	1 1 1		
		12	35857-371-000	COVER, MAGNETIC SWITCH	1	1 1 1		
		13	36105-371-000	HOLDER, SPARE FUSE	1	1 1 1		
		14	38230-371-153	BOX ASSY., MAIN FUSE (DAIICHI)	1	1 1 1		
		15	38233-371-000	STAY, MAIN FUSE	1	1 1 1		
		16	50325-371-000	BOX, BATTERY	1	1		
		17	50325-371-010	BOX, BATTERY		1	2040166	2040165 DK,DM,E,ED,F,G,U

1979.04.10

L4