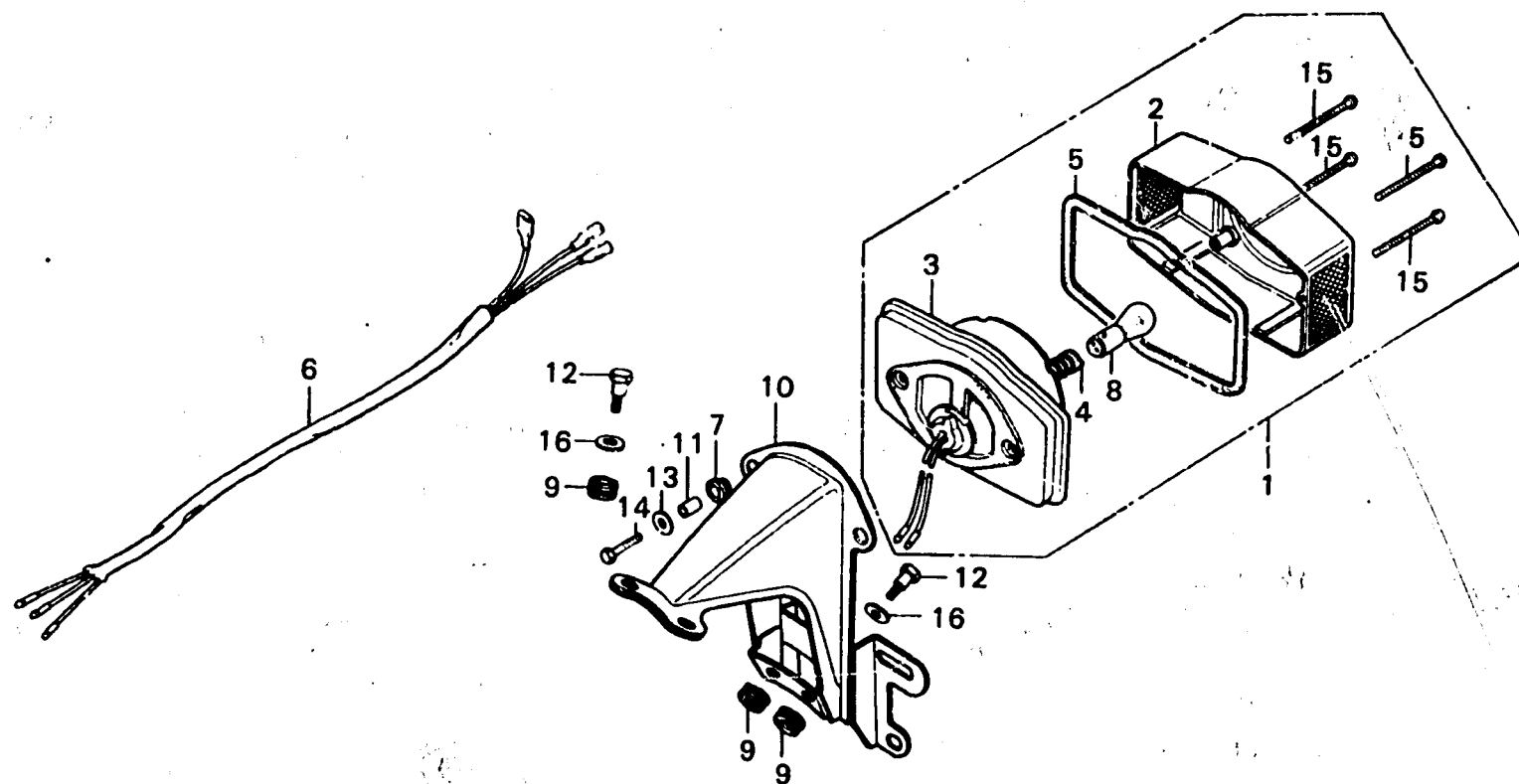


K 10

F-26

**Taillight
(A,CM,DK,DM,U)**



B371-41

Service item	F.R.T.	Ref. No.	Part No.	Description	Reqd. No.			Serial No.	Area code
					GL1000	GL1000	LTD K1 K2		
NUMBER PLATE BRACKET	0.3	1	33701-341-671	TAILLIGHT UNIT	1			A	
TAIL LIGHT UNIT/BASE and its related parts	0.2		33701-341-910	TAILLIGHT UNIT (12V 32/3CP)		1	2017993	2017992	
TAIL LIGHT LENS/BULB	0.1							A	
			33701-371-980	TAILLIGHT UNIT		1		CM	
			33701-371-910	TAILLIGHT UNIT	1			A	
			33701-369-000	TAILLIGHT UNIT	1			A,CM	
			33701-341-900	TAILLIGHT UNIT		1	2017993	2017992	
								U	
								DK,DM,U	
								DK,DM,U	
								DK,DM,U	
		2	33702-341-671	LENS, TAILLIGHT	1	1			
			33702-341-003	LENS, TAILLIGHT	1	1			
		3	33703-341-671	BASE COMP., TAILLIGHT	1				
			33703-341-900	BASE COMP., TAILLIGHT		1	2017993	2017992	
								A	
								A	
								CM	
								A	
			33703-371-980	BASE COMP., TAILLIGHT	1	1			
			33703-354-670	BASE COMP., TAILLIGHT	1				
								A,CM,U	
								DK,DM,U	
								DK,DM,U	
								DK,DM,U	
								DK,DM,U	
								A,CM,DK,DM,U	
		4	33708-341-671	CORD COMP., TAILLIGHT	1	1			
		5	33709-341-671	PACKING, TAILLIGHT LENS	1	1			
								A,CM,DK,DM,U	
		6	33711-371-000	CORD, TAILLIGHT	1	1			
		7	33719-077-671	PACKING B, TAILLIGHT BASE (STANLEY)	2				
								A,CM,DK,DM,U	
						2	2017992	A,DK,DM,U	

1979.04.10

K10