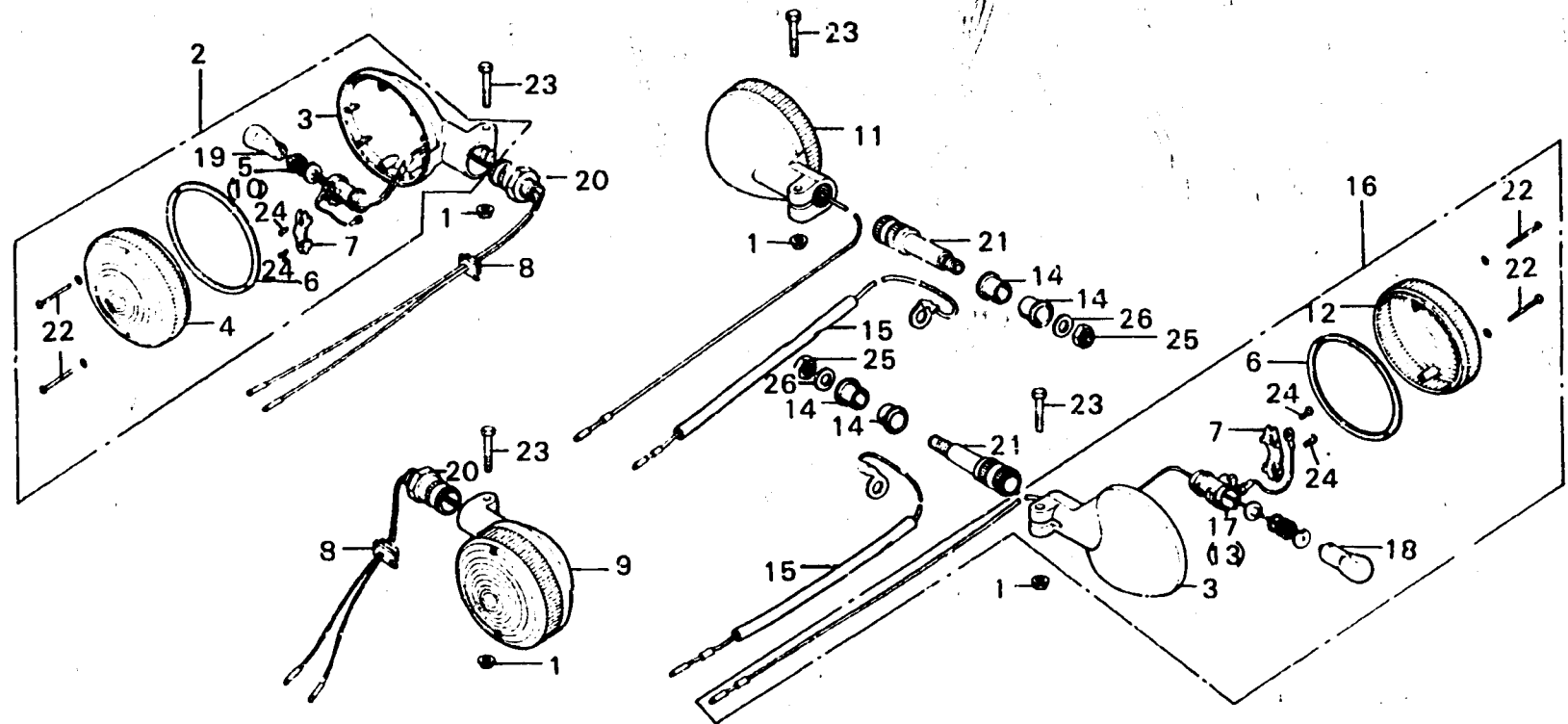


K 9

F-25

Winker



B371-40

Service item	F.R.T.	Ref. No.	Part No.	Description	Reqd. No.				Serial No.	Area code
					GL1000	GL1000	LTDK1	K2		
		19	34906-313-671	BULB, STOP & TAILLIGHT (12V23/8W)	2	2	2	2		A,CM
			34905-268-671	BULB, WINKER (12V23W)	2	2	2	2		DK,DM,U
			34908-634-511	BULB (12V21W)				2		E,ED,F,G
		20	90129-371-000	BOLT, FR. WINKER SET	2		2	2		
			90129-371-980	BOLT, FR. WINKER SETTING		2				
		21	90155-371-000	BOLT, RR. WINKER SET	2		2	2		A,CM,DK,DM,U
			90155-371-980	BOLT, PR. WINKER SETTING		2				E,ED,F
		22	90192-377-671	SCREW, PAN, 4X25	8		8	8		A,CM,ED,F,U
			90192-371-981	SCREW, PAN, 4X25		8				
		23	93000-06035-02	BOLT, HEX., 6X35	4		4	4		
			91509-371-980	BOLT, HEX., 6X35	4		4			
		24	93500-03008-0H	SCREW, PAN, 3X8	8	8	8	8		
		25	94001-10000-0S	NUT, HEX., 10MM	2	2	2	2		A,CM,DK,DM,U
						2				E,ED,F
		26	94101-10000	WASHER, PLAIN, 10MM	2			2		A,CM,DK,DM,U
			91536-371-980	WASHER, PLAIN, 10MM				2		E,ED,F

1979.04.10

K9