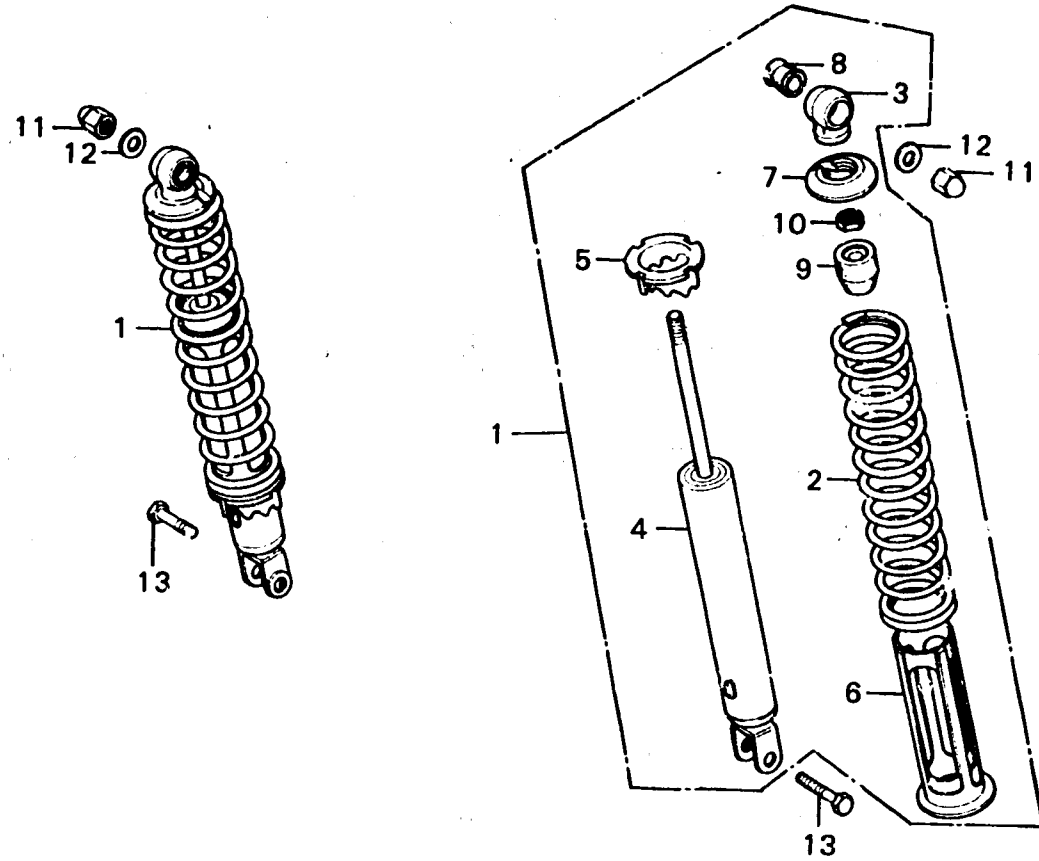


K 4

F-23

Rear cushion



B371-38

Service item	F.R.T.	Ref. No.	Part No.	Description	Reqd. No.			Serial No.	Area code
					GL1000	GL1000 LTD K1 K2			
REAR CUSHION ASSY.	0.1	1	52400-371-003	CUSHION ASSY., RR.	2	2	2	A, CM, DK, DM, U	
REAR CUSHION SPRING and its related parts	0.3		52400-371-980	CUSHION ASSY., RR.		2		A, CM, U	
			52400-371-961	CUSHION ASSY., RR.		2		ED, F, G	
			52400-371-611	CUSHION ASSY., RR.		2	2	E, ED, F, G	
		2	52401-371-000	SPRING, RR. CUSHION	2	2	2		
			52401-371-980	SPRING, RR. CUSHION		2			
		3	52403-371-003	JOINT COMP., UPPER (SHOWA)	2	2	2		
			52403-371-980	JOINT COMP., UPPER		2			
		4	52410-371-003	DAMPER COMP., RR.	2	2	2	A, CM, DK, DM, U	
			52410-371-980	DAMPER COMP., RR.		2		A, CM, U	
			52410-371-961	DAMPER COMP., RR.		2		ED, F, G	
			52410-371-611	DAMPER COMP., RR.		2	2	E, ED, F, G	
		5	52422-371-003	ADJUSTER, SPRING (SHOWA)	2	2	2		
			52422-371-980	ADJUSTER, SPRING		2			
		6	52456-371-003	GUIDE, SPRING	2	2	2		
		7	52459-371-003	SEAT, SPRING UPPER (SHOWA)	2	2	2		
			52459-371-980	SEAT, SPRING UPPER		2			
		8	32484-292-000	RUBBER, JOINT	2	2	2		
		9	52517-385-000	RUBBER, STOPPER	2	2	2		
		10	90301-385-003	NUT, HEX., 11MM	2	2	2		
		11	90309-315-000	NUT, RR. CUSHION UPPER	2	2	2		
			90309-371-980	NUT, RR. CUSHION UPPER		2			
		12	90521-292-000	WASHER, 10.3MM	2	2	2		
			90521-371-980	WASHER, 10.3MM		2			
		13	93200-10032-0B	BOLT, HEX., 10X32	2	2	2		
			91511-371-980	BOLT, HEX., 10X32		2			

1979.04.10

K4