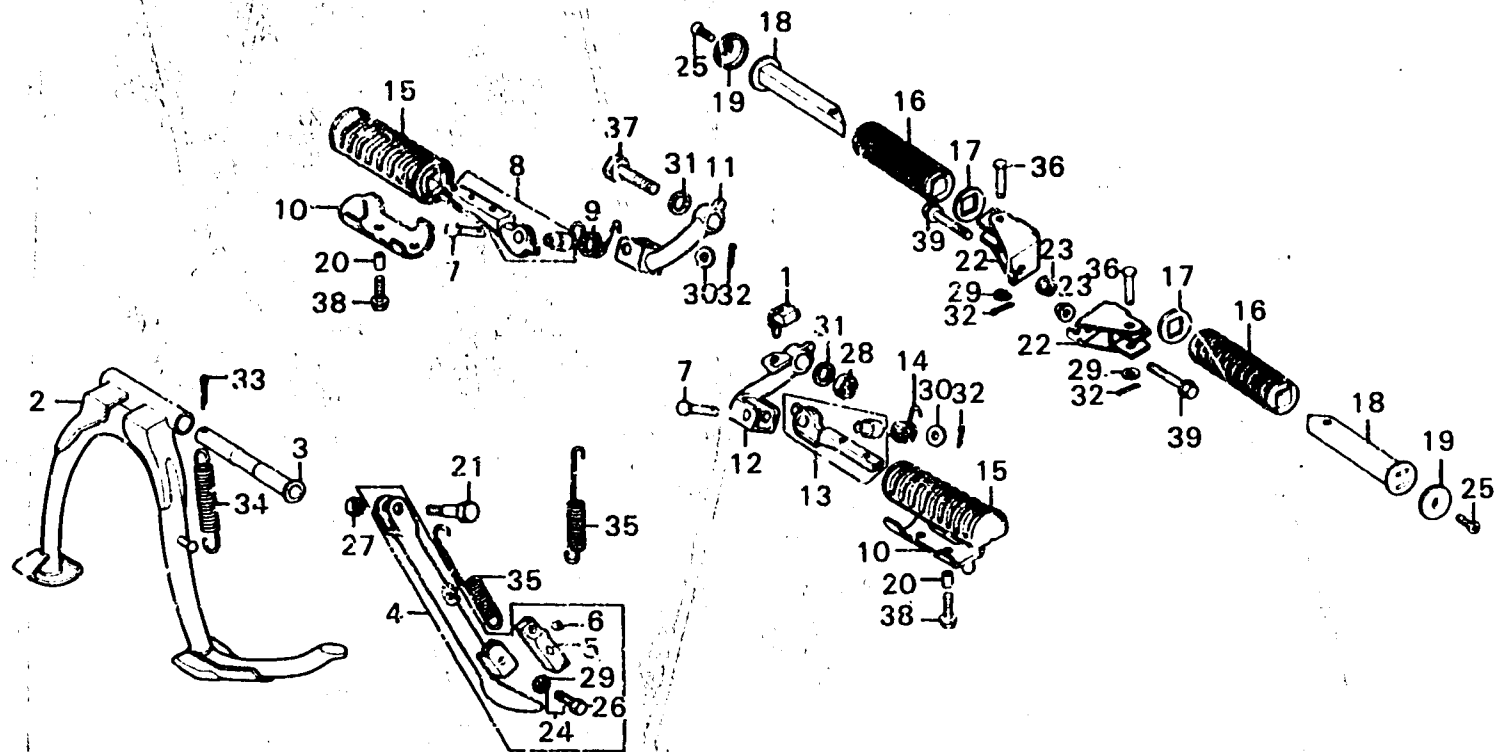


**J 15**

**F-21**

**Step - Stand**



B371-36

Service item	F.R.T.	Ref. No.	Part No.	Description	Reqd. No.		Serial No.	Area code
					GL1000	GL1000 LTDK1 K2		
		11	50630-371-000	BRACKET, R. STEP	1	1		
		12	50640-371-000	BRACKET, L. STEP	1	1		
		13	50642-369-670B	ARM COMP., L. STEP	1	1		
			50642-371-000B	ARM COMP., L. STEP		1	2040166	2040165 DK,DM,E,ED,F,G,U
		14	50640-300-670	SPRING, L. STEP RETURN	1	1		
			50640-371-980	SPRING, L. STEP RETURN		1		
		15	50661-369-000	RUBBER, STEP	2	2		
		16	50710-377-000	RUBBER, PILLION STEP	2	2		
			50716-371-660	RUBBER, PILLION STEP				
		17	50712-377-000	WASHER, PILLION STEP	2	2		
			50712-371-980	WASHER, PILLION STEP		2		
			50712-371-660	WASHER, PILLION STEP				
		18	50715-377-000	BAR, PILLION STEP	2	2		
			50715-371-980	BAR, PILLION STEP		2		
			50715-371-660	BAR, PILLION STEP				
		19	50717-371-980	COVER, PILLION STEP		2		
			50717-371-660	COVER, PILLION STEP				
		20	84706-286-000	COLLAR, NUMBER BRACKET SETTING	4	4		
		21	90108-371-000	SCREW, SIDE STAND PIVOT	1			A
			90108-371-610	SCREW, SIDE STAND PIVOT		1	2016001	2016000 A
						1		CM,DK,DM,E,ED,F,G,U
					1			DK,DM,U
						1		A,CM,E,ED,F,G
		22	90108-371-980	SCREW, SIDE STAND		1		
			90167-371-000	BRACKET, PILLION STEP	2	2		

1979.04.10

J15