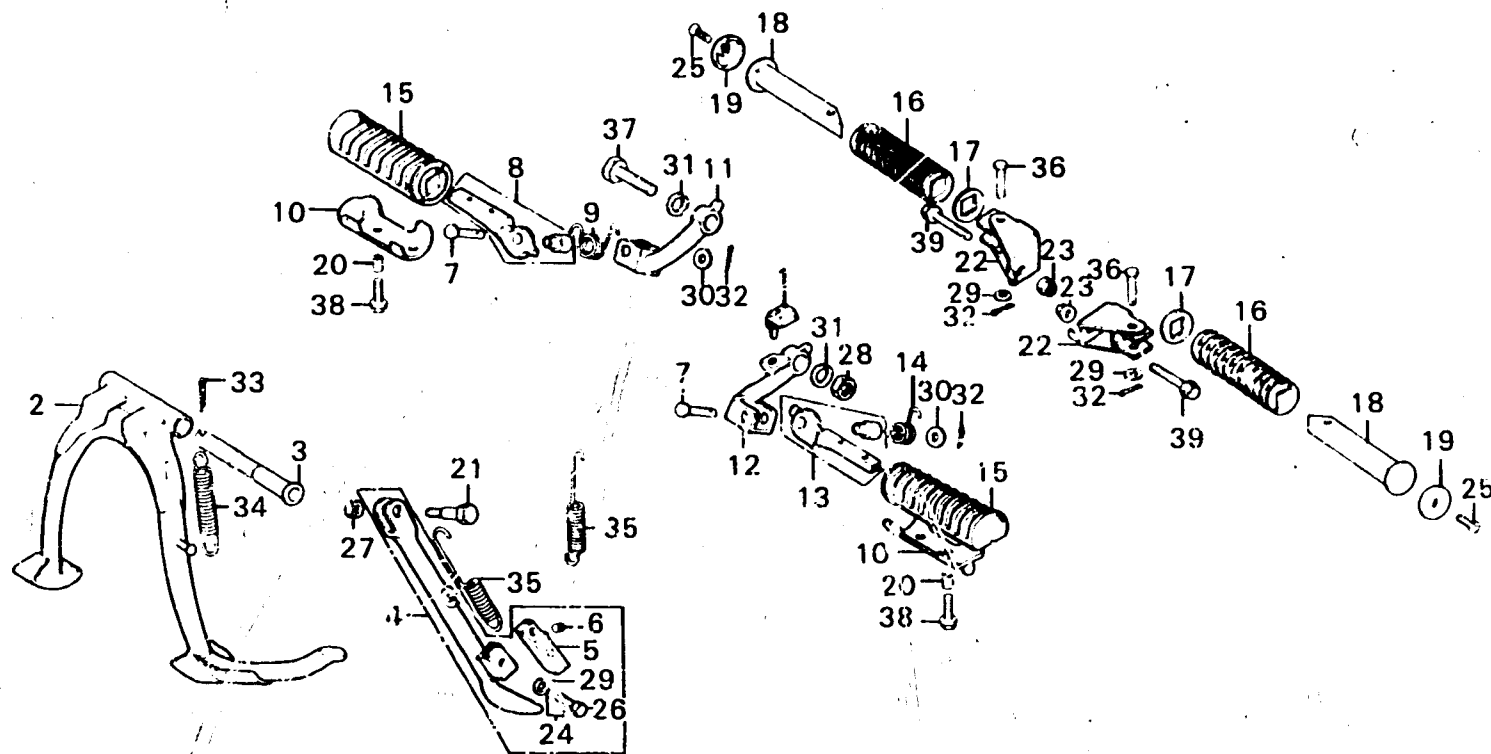


J 14

F-21

Step - Stand



B371-36

Service item	F.R.T.	Ref. No.	Part No.	Description	Recd. No.			Serial No.	Area code
					GL1000	GL1000 LTD K1	K2		
MAIN STAND/MAIN STAND PIVOT PIPE	0.5	1	28310-371-000	RUBBER, KICK STOPPER	1	1	1		
SIDE STAND BAR ASSY.	0.2	2	50500-371-000	STAND, MAIN	1				
STAND RUBBER	0.1		50500-371-010	STAND, MAIN			1	2040166	2040165 DK,DM,E,ED,F,G,U
●MAIN STAND SPRING			50500-371-980	STAND, MAIN			1		
●SIDE STAND SPRING			50526-300-000	PIPE, MAIN STAND PIVOT	1	1	1		
●STEP ARM and its related parts		3	50540-371-000	BAR ASSY., SIDE STAND	1				
●PILLION STEP and its related parts		4	50540-371-010	BAR ASSY., SIDE STAND			1	2012111	2012110 A,CM,DK,DM,E,ED,F,U A,CM,DK,DM,E,ED,F,U A,CM,DK,DM,E,ED,F,U A,CM,ED,F,U
			50540-371-980	BAR ASSY., SIDE STAND			1		
			50540-371-610	BAR ASSY., SIDE STAND			1		
			50540-371-611	BAR ASSY., SIDE STAND			1	2012111	2012110 G G G G
			50540-371-960	BAR ASSY., SIDE STAND			1		
		5	50548-356-700	RUBBER, STAND	1	1	1		
		6	50549-356-700	COLLAR, STAND RUBBER SETTING	1	1	1		
		7	50603-033-000	PIN, STEP BAR JOINT	2		2		
			50603-371-980	PIN, STEP BAR JOINT			2		
			50603-371-660	PIN, STEP BAR JOINT					2
		8	50616-369-670B	ARM COMP., R. STEP	1	1			
			50616-371-000B	ARM COMP., R. STEP			1	2040166	2040165 DK,DM,E,ED,F,G,U
		9	50617-300-670	SPRING, R. STEP RETURN	1		1		
			50617-371-980	SPRING, R. STEP RETURN			1		
		10	50619-375-000	STOPPER, STEP RUBBER	2	2	2		

1979.04.10

J14