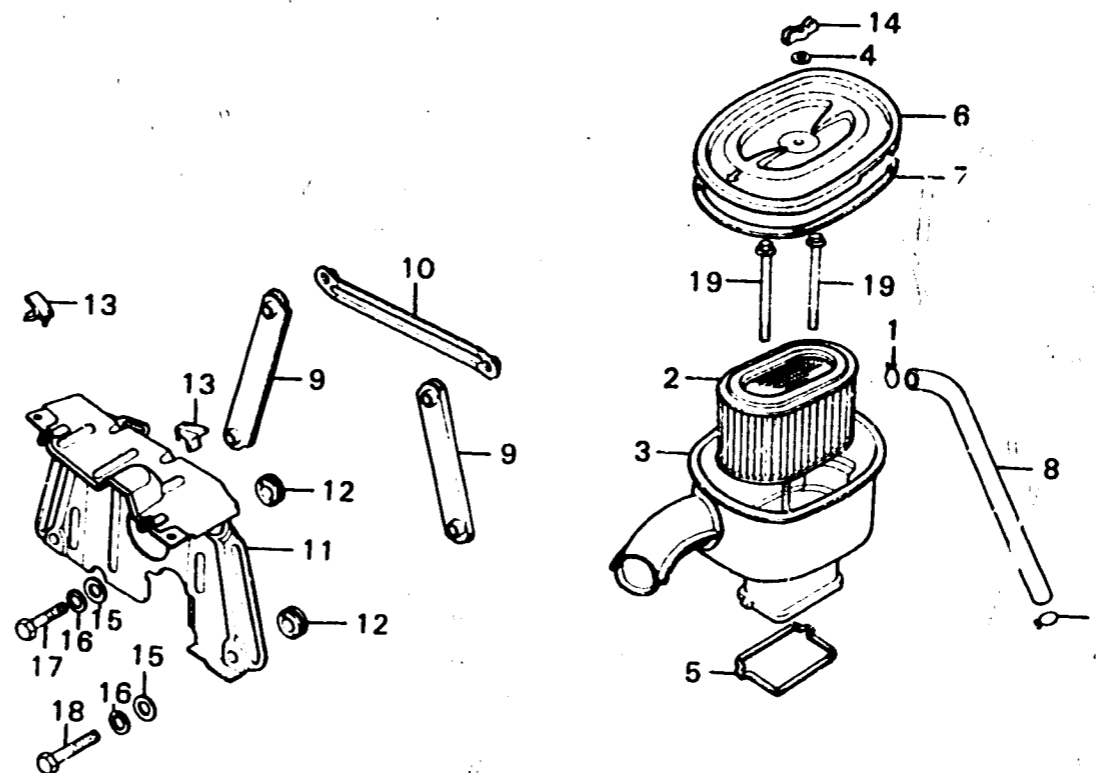


J 10

F-19

Air cleaner • Shroud



B371-34

Service item	F.R.T.	Ref. No.	Part No.	Descriptio.	Reqd. No.			Serial No.	Area code
					GL1000	GL1000 LTD K1 K2			
SHROUD	0.9	1	15772-551-000	CLIP, TUBE	2	2	2		
AIR CLEANER CASE/BREATHER TUBE	0.4	1	15772-371-980	CLIP, BREATHER TUBE		2			
AIR CLEANER ELEMENT	0.1	2	17211-371-003	ELEMENT, AIR CLEANER (TOYO)	1	1	1		
		2	17211-371-004	ELEMENT, AIR CLEANER (TORYO)	1	1	1		
		3	17212-371-000	CASE, AIR CLEANER	1	1			
			17212-371-010	CASE, AIR CLEANER			1	2040166	2040165 DK,DM,E,ED,F,G,U
		4	17212-611-000	WASHER, AIR CLEANER	1		2		
			17212-371-980	WASHER, AIR CLEANER		1	2	2040166	2040165 DK,DM,E,ED,F,G,U
		5	17221-371-000	PACKING, AIR CLEANER	1	1	1		
		6	17231-371-000	COVER, AIR CLEANER	1	1			
			17231-371-010	COVER, AIR CLEANER			1	2040166	2040165 DK,DM,E,ED,F,G,U
		7	17232-371-300	PACKING, AIR CLEANER COVER	1	1	1		
			17232-371-310	PACKING, AIR CLEANER COVER			1	2040166	2040165 DK,DM,E,ED,F,G,U
		8	17278-371-000	TUBE A, BREATHER	1	1	1		
		9	50353-371-000	ROD, TORQUE					
			50353-371-010	ROD, TORQUE	2		2	2040166	2040165 DK,DM,E,ED,F,G,U
			50353-371-930	ROD, TORQUE		2	2		
		10	50361-371-000	BAR, CROSS	1	1	1		

1979.04.10

J10