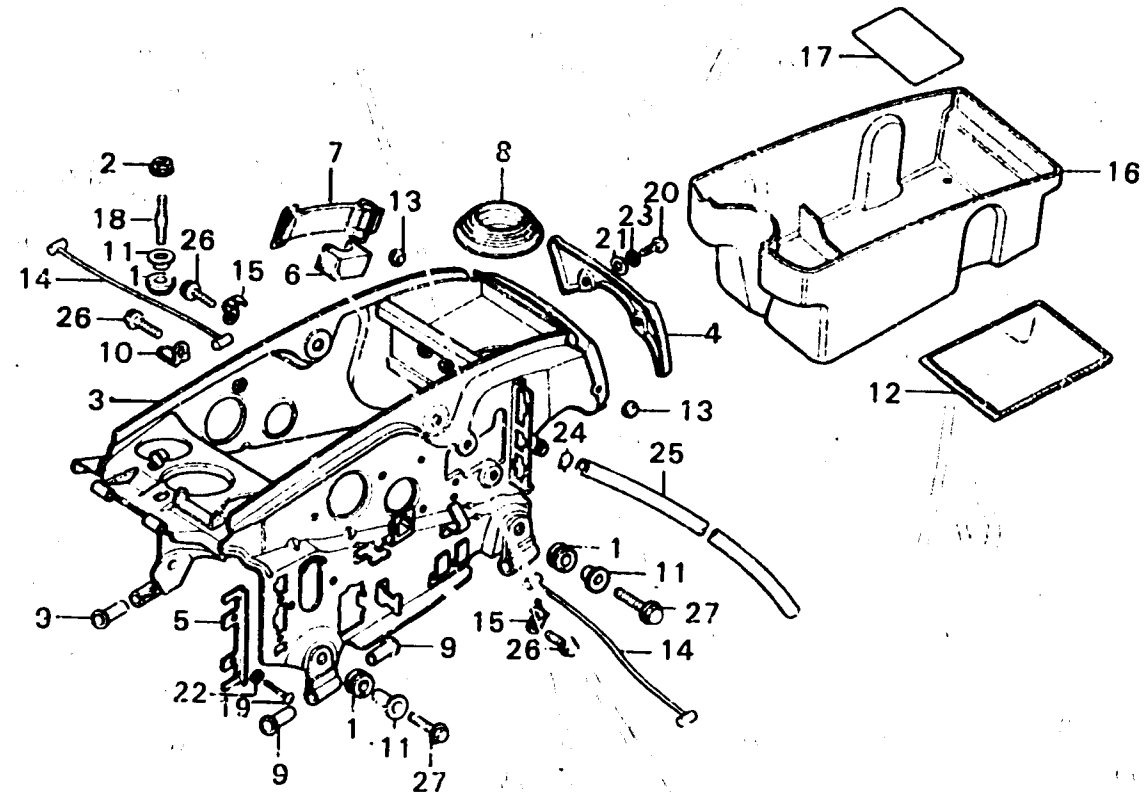


J 2

F-16

Shelter frame • Tool tray



B371-31

Service item	F.R.Y.	Ref. No.	Part No.	Description	Reqd. No.				Serial No.	Area code
					GL1000	GL1000	LTD	K1 K2		
SHELTER FRAME	1.1	1	17245-107-010	RUBBER, AIR CLEANER CASE MOUNTING	5	5	5	5		
FUEL TRAY RUBBER	0.3	2	18362-720-000	NUT, FLANGE, 6MM	1		1	1		
REAR SHELTER COVER	0.1	2	18362-371-980	NUT, FLANGE, 6MM			1			
•SHELTER STOPPER		3	50410-371-000ZA	FRAME, SHELTER *NH-1*	1					
•9 x 13 x 820 VINYL TUBE		3	50410-371-010ZA	FRAME, SHELTER *NH-1*	1	1	1	1		
		4	50411-371-000ZA	COVER, RR. SHELTER *R-6C-S*	1		1	1		
		4	50411-371-000ZP	COVER, RR. SHELTER *PB-2C-S*	1		1			
		4	50411-371-000ZC	COVER, RR. SHELTER *Y-34*			1		2002809	E, ED, F, G A, CM, DK, DM, U
			50411-371-000ZL	COVER, RR. SHELTER *R-7C-C*			1			
			50411-371-000ZD	COVER, RR. SHELTER *NH-1*				1		
			50411-371-000ZE	COVER, RR. SHELTER *PB-5C-S*				1		
		5	50412-371-000	HOLDER, COUPLER	1	1	1	1		
		6	50418-371-000	RUBBER, KICK ARM SET	1	1	1	1		
		7	50420-371-000	BAND, KICK ARM SET	1	1	1	1		
		8	50433-371-000	RUBBER, FUEL TRAY	1	1	1	1		
		9	50425-371-000	BUSH, SIDE HINGE	8	8	8	8		
		10	50428-371-000	STOPPER, SUB TANK	1	1	1	1		
		11	61104-357-000	COLLAR, FR. FENDER	5	5	5	5		
		12	77251-342-000	BAG, SERVICE BOOK	1	1	1	1		
		13	80124-351-000	PLUG, RR. FENDER	2	2	2	2		
		14	83118-371-000	STOPPER, SHELTER	2	2	2	2		
		15	83119-371-000	STAY, SHELTER STOPPER	2		2	2		
		15	83119-371-980	STAY, SHELTER STOPPER			2			
		16	83501-371-000	TRAY, TOOL	1	1	1	1		

1979.04.10

J2