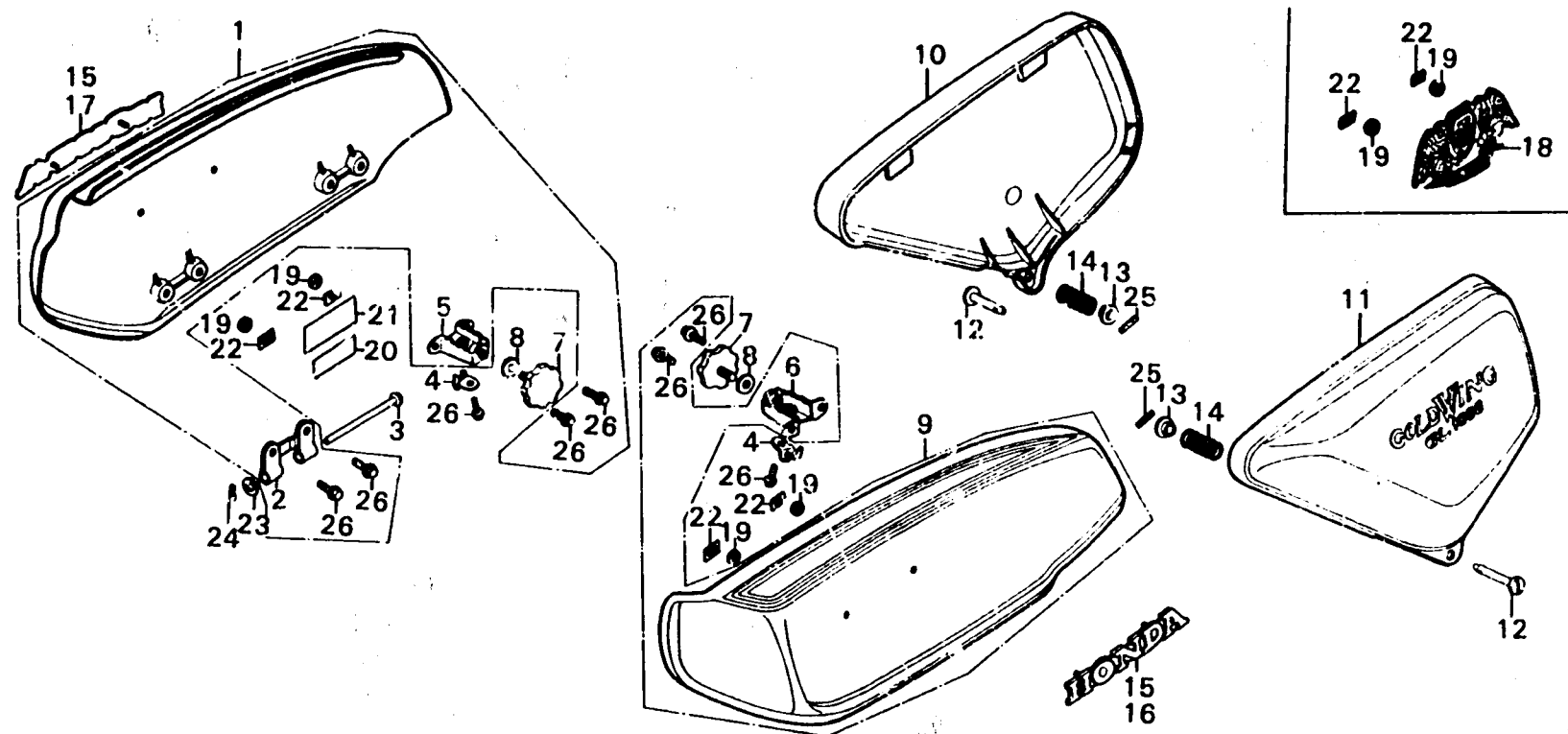


I 15

F-15

Side shelter • Side cover



B371-30

Service item	F.R.T.	Ref. No.	Part No.	Description	Reqd. No.		Serial No.	Area code
					GL1000	GL1000 LTDK1 K2		
			83126-371-010	BRACKET, L. SHELTER		1	2040166	DK,DM,E,ED,F,G,U
		7	83127-371-000	LATCH, SHELTER	2	2		
			83127-371-010	LATCH, SHELTER		2	2040166	2040165 DK,DM,E,ED,F,G,U
		8	83128-371-000	STOPPER, SHELTER LATCH		2	2040166	DK,DM,E,ED,F,G,U
		9	83200-371-305ZA	SHELTER COMP., L. SIDE *	1			
				R-6C-S *				
			83200-371-305ZB	SHELTER COMP., L. SIDE *	1			
				PB-2C-S *				
			83200-371-980ZL	SHELTER COMP., L. SIDE		1		
				R-7C-C *				
			83200-371-610ZA	SHELTER COMP., L. SIDE		1		
				R-6C-S *				
			83200-371-610ZB	SHELTER COMP., L. SIDE		1		
				PB-2C-S *				
			83200-371-610ZC	SHELTER COMP., L. SIDE		1	2002809	E,ED,F,G A,CM,DK,DM,U
				Y-34 *		1		
			83200-371-661ZA	SHELTER COMP., L. SIDE				
				R-6C-S *		1		
			83200-371-661ZB	SHELTER COMP., L. SIDE				
				NH-1 *		1		
			83200-371-661ZC	SHELTER COMP., L. SIDE				
				PB-6C-S *		1		
		10	83600-371-305ZA	COVER COMP., R. SIDE	1			
				R-6C-S *				
			83600-371-305ZB	COVER COMP., R. SIDE	1			
				PB-2C-S *				
			83650-371-980ZL	COVER COMP., R. SIDE		1		
				R-7C-C *				
			1979.04.10					
						115		