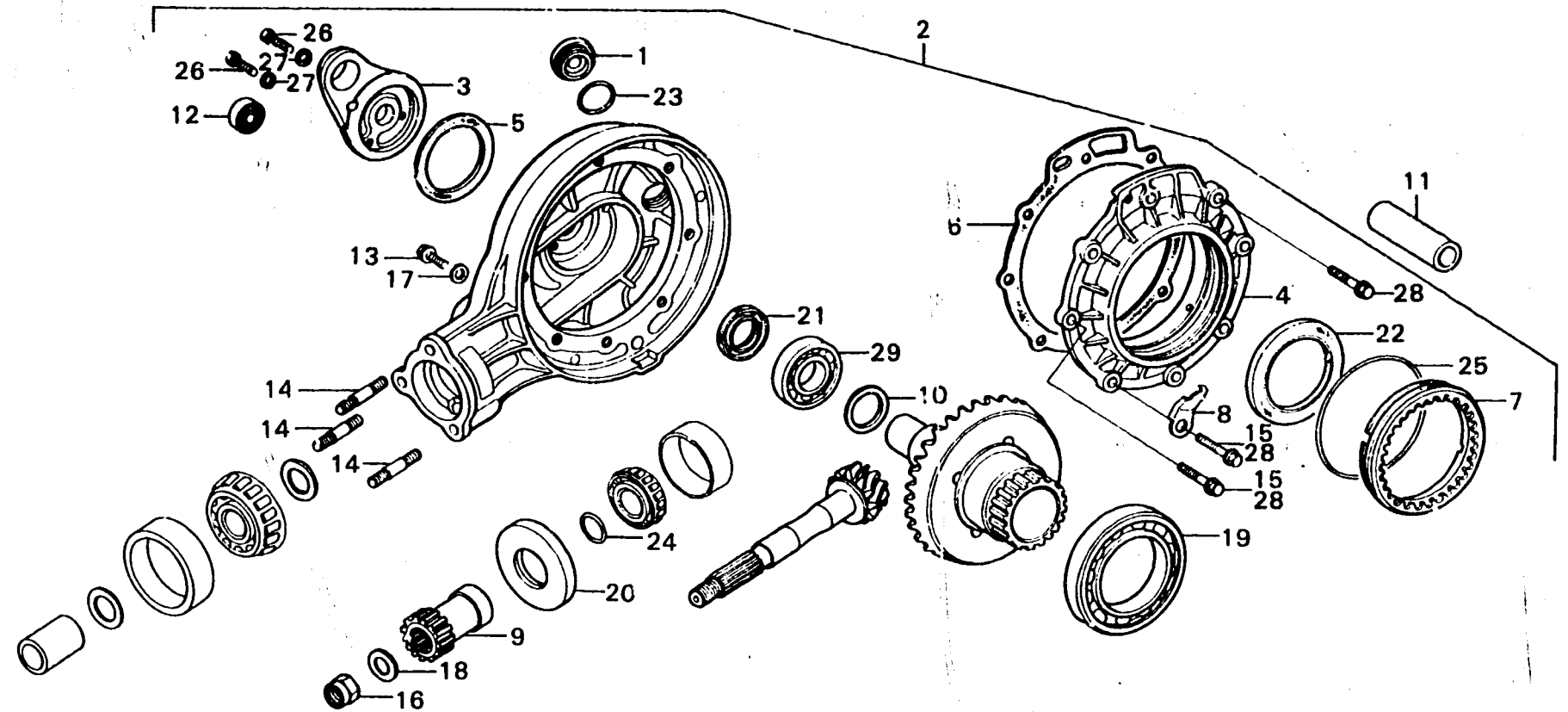


I 9

F-13

Final driven gear



B371--28

Service item	F.R.T.	Ref. No.	Part No.	Description	Reqd. No.			Serial No.	Area code
					GL1000	GL1000 LTDK1 K2			
		10	41500-371-010	SPACER A, RING GEAR (1.76)	1				
			41501-371-010	SPACER B, RING GEAR (1.80)	1	1	1	1	
			41502-371-010	SPACER C, RING GEAR (1.84)	1	1	1	1	
			41503-371-010	SPACER D, RING GEAR (1.88)	1	1	1	1	
			41504-371-010	SPACER E, RING GEAR (1.92)	1	1	1	1	
			41505-371-010	SPACER F, RING GEAR (1.96)	1	1	1	1	
			41506-371-010	SPACER G, RING GEAR (2.00)	1	1	1	1	
			41507-371-010	SPACER H, RING GEAR (2.04)	1	1	1	1	
			41508-371-010	SPACER I, RING GEAR (2.08)	1	1	1	1	
			41509-371-010	SPACER J, RING GEAR (2.12)	1	1	1	1	
			41510-371-010	SPACER K, RING GEAR (2.16)	1	1	1	1	
			41511-371-010	SPACER L, RING GEAR (2.20)	1	1	1	1	
			41512-371-010	SPACER M, RING GEAR (2.24)	1	1	1	1	
			41513-371-010	SPACER N, RING GEAR (2.28)	1	1	1	1	
			41514-371-010	SPACER O, RING GEAR (2.32)	1	1	1	1	
			41515-371-010	SPACER P, RING GEAR (2.36)	1	1	1	1	
			41516-371-000	SPACER Q, RING GEAR (2.40)		1	1	1	A,DK,DM,E,ED,F,G,U CM
			41517-371-000	SPACER R, RING GEAR (2.44)		1	1	1	1023764 A,DK,DM,E,ED,F,G,U CM
						1	1	1	1023764 A,DK,DM,E,ED,F,G,U CM
		11	42625-371-000	COLLAR B, RR, WHEEL DISTANCE	1	1	1	1	
		12	52451-357-000	BUSH, RR, DAMPER	1	1	1	1	
		13	90109-371-000	BOLT, SEALING, 8MM	1		1	1	
			90109-371-980	BOLT, SEALING, 8MM		1			
		14	90125-371-000	BOLT, STUD, 10X45	3	3	3	3	

2979.04.10

19