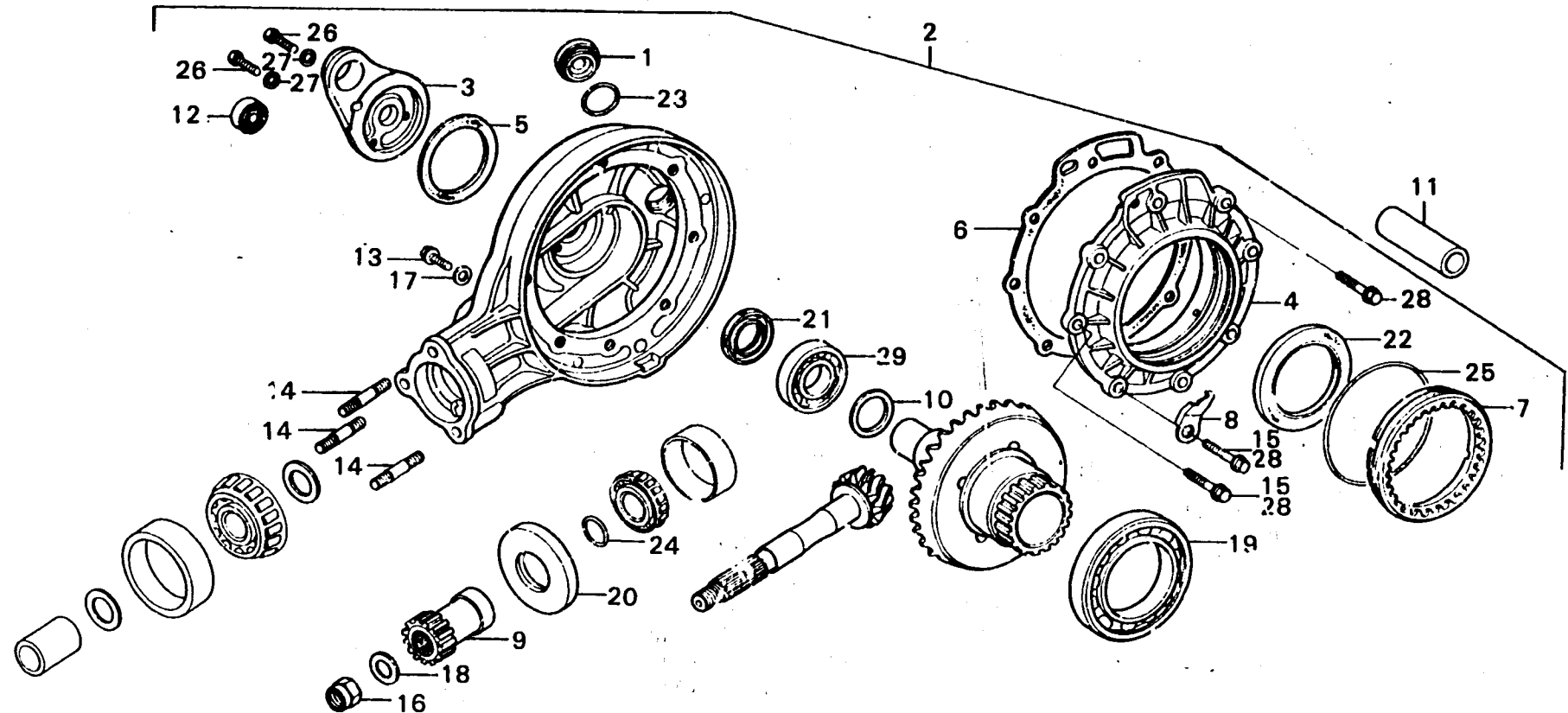


I 8

F-13

Final driven gear



B371-28

Service item	F.R.T.	Ref. No.	Part No.	Description	Reqd. No.		Serial No.	Area code
					GL1000	GL1000 LTD K1 K2		
9614 BEARING •6007 BALL BEARING/OIL SEAL	1.0	1	12361-035-000	CAP, TAPPET ADJUSTING HOLE	1	1	2040166 2040165	DK,DM,E,ED,F,G,U
L. GEAR CASE COVER	0.9		12361-300-000	CAP, TAPPET ADJUSTING HOLE		1		
RING GEAR SPACER •32 x 67 x 8 OIL SEAL	0.7		12361-371-980	CAP, TAPPET ADJUSTING HOLE		1		
PINION JOINT •R. GEAR CASE COVER/DAMPER BUSH •BEARING RETAINER A./ 70 x 90 x 8 OIL SEAL	0.6	2	41300-371-010	GEAR ASSY., FINAL DRIVEN 41300-371-030	1			2002808 E,ED,F,G
10 x 4 1/2 STUD BOLT •Add 0.1	0.6		41300-371-030	GEAR ASSY., FINAL DRIVEN		1		2002809 2021190 E,ED,F,G 2021190 A,DK,DM,U
FINAL DRIVEN GEAR ASSY.	0.5		41300-371-040	GEAR ASSY., FINAL DRIVEN		1	2021191 2040165 A,DK,DM,E,ED,F,G,U 2040165 CM	2040166 DK,DM,E,ED,F,G,U
		3	41311-371-010	COVER, R, GEAR CASE	1	1		1
			41311-371-980	COVER, R, GEAR CASE	1	1		
		4	41321-371-000	COVER, L, GEAR CASE	1	1		
			41321-371-010	COVER, L, GEAR CASE		1	2040166 2040165	DK,DM,E,ED,F,G,U
		5	41324-371-010	PACKING, R, COVER	1	1		1
		6	41325-371-000	PACKING, L, COVER	1	1		
		7	41351-371-000	RETAINER A, BEARING	1	1		1
		8	41355-371-000	STOPPER A, BEARING RETAINER	1	1		1
		9	41410-371-000	JOINT, PINION	1	1		1