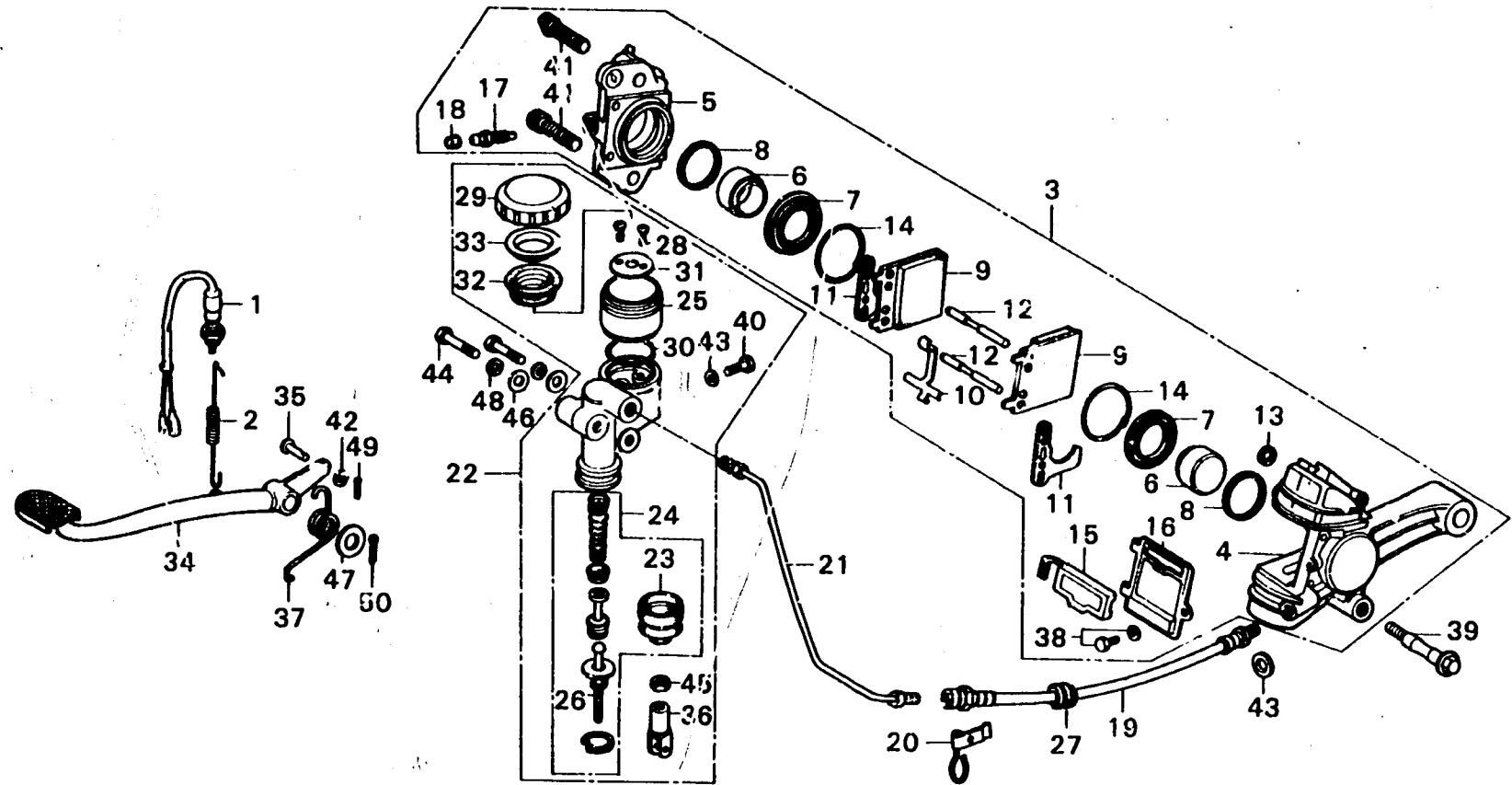


I 5

F-11

Rear master cylinder • Caliper



B371-26

Service item	F.R.T.	Ref. No.	Part No.	Description	Reqd. No.		Serial No.	Area code
					GL1000	GL1000 LTD K1 K2		
			45513-371-651	CAP, OIL CUP		1	2031719	U
		30	45516-371-003	O-RING	1	1 1 1		U
		31	45518-371-003	PLATE, OIL CUP	1	1 1 1		
		32	45520-300-000	DIAPHRAGM	1	1 1 1		
		33	45521-300-010	PLATE, DIAPHRAGM	1	1 1 1		
		34	46500-371-000	PEDAL, RR, BRAKE	1	1 1 1		
			46500-371-980	PEDAL, RR, BRAKE		1		
		35	46503-371-000	PIN, BRAKE ROD	1	1 1 1		
		36	46504-371-000	JOINT, BRAKE ROD	1	1 1 1		
		37	46506-371-000	SPRING, BRAKE PEDAL	1	1 1 1		
		38	90103-371-006	BOLT-WASHER, 5X10	1	1 1 1		
		39	90131-371-000	BOLT, 12X60	1	1 1 1		
			90131-371-980	BOLT, 12X60		1		
		40	90161-371-003	BOLT, PLUG	1	1 1 1		
		41	90163-371-006	BOLT, CALIPER SET	2	2 2 2		
		42	90501-310-000	WASHER, 7X12	1	1 1 1		
		43	90545-300-000	WASHER, OIL BOLT	2	2 2 2		
		44	92000-08032-0A	BOLT, HEX., 8X32	2	2 2 2		
		45	94001-08000-0S	NUT, HEX., 8MM	1	1 1 1		
		46	94102-08000	WASHER, PLAIN, 8MM	2	2 2 2		
		47	94102-20000	WASHER, PLAIN, 20MM	1	1 1 1		
		48	94111-08000	WASHER, SPRING, 8MM	2	2 2 2		
		49	94201-16150	PIN, SPLIT, 1,6X15	1	1 1 1		
		50	94201-30350	PIN, SPLIT, 3,0X35	1	1 1 1		

1979.04.10

15