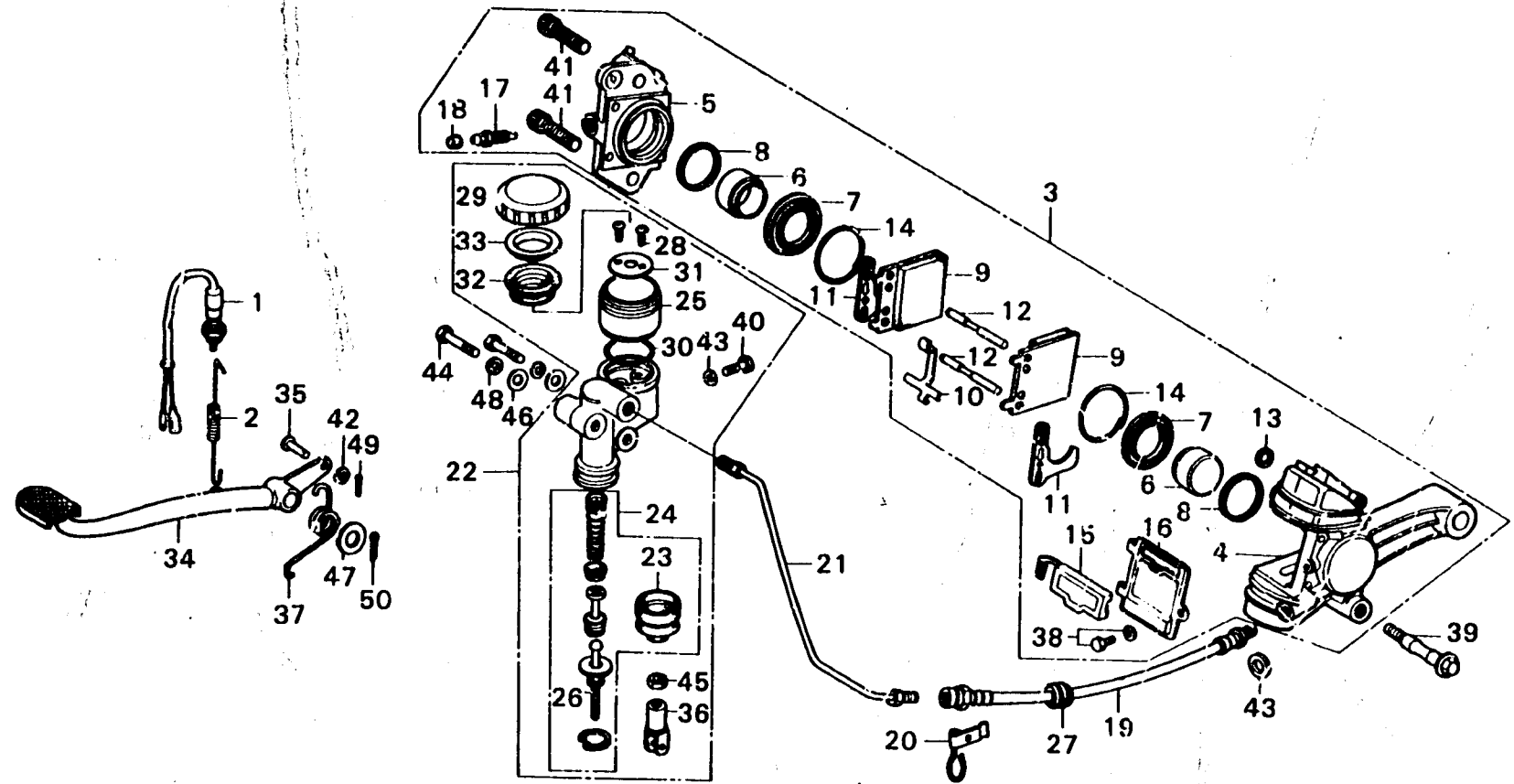


I 4

F-11

Rear master cylinder • Caliper



B371-26

Service item	F.R.T.	Ref. No.	Part No.	Description	Reqd. No.				Serial No.	Area code
					GL1000	GL1000	LTDK1	K2		
		17	43352-568-003	VALVE, BLEEDER	1	1	1	1		
		18	43353-548-003	CAP, BLEED SCREW	1	1	1	1		
		19	43410-371-013	HOSE, RR, BRAKE (NICHIRIN)	1	1	1	1		
		20	43415-371-000	CLIP, RR, BRAKE HOSE	1	1	1	1		
		21	43420-371-000	PIPE, RR, BRAKE	1	1	1	1		
		22	43500-371-671	CYLINDER ASSY., RR, MASTER (NISSHIN)	1	1	1	1		A,CM
			43500-371-672	CYLINDER ASSY., RR, MASTER (NISSHIN)	1	1	1	1		A,CM
			43500-371-681	CYLINDER ASSY., RR, MASTER (NISSHIN)	1	1	1	1		DK,DM,E,ED,F,G
			43500-371-682	CYLINDER ASSY., RR, MASTER (NISSHIN)	1	1	1	1	2031718	U
			43500-371-651	CYLINDER ASSY., RR, MASTER (NISSHIN)	1	1	1	1		DK,DM,E,ED,F,G
			43500-371-652	CYLINDER ASSY., RR, MASTER (NISSHIN)	1	1	1	1	2031719	U
		23	43504-371-003	BOOT, MASTER CYLINDER	1	1	1	1		U
		24	43510-371-305	CYLINDER SET, RR, MASTER	1	1	1	1		U
		25	43511-371-003	CUP, OIL	1	1	1	1		U
		26	43530-371-003	ROD COMP., PUSH (NISSHIN)	1	1	1	1		U
		27	43146-300-000	GROMMET, BRAKE HOSE	1	1	1	1		U
		28	43509-371-003	SCREW, OIL CUP	2	2	2	2		U
		29	43513-341-771	CAP, OIL CUP	1	1	1	1		A,CM
			43513-341-671	CAP, OIL CUP	1	1	1	1		DK,DM,E,ED,F,G
					1					U
						1			2031718	U