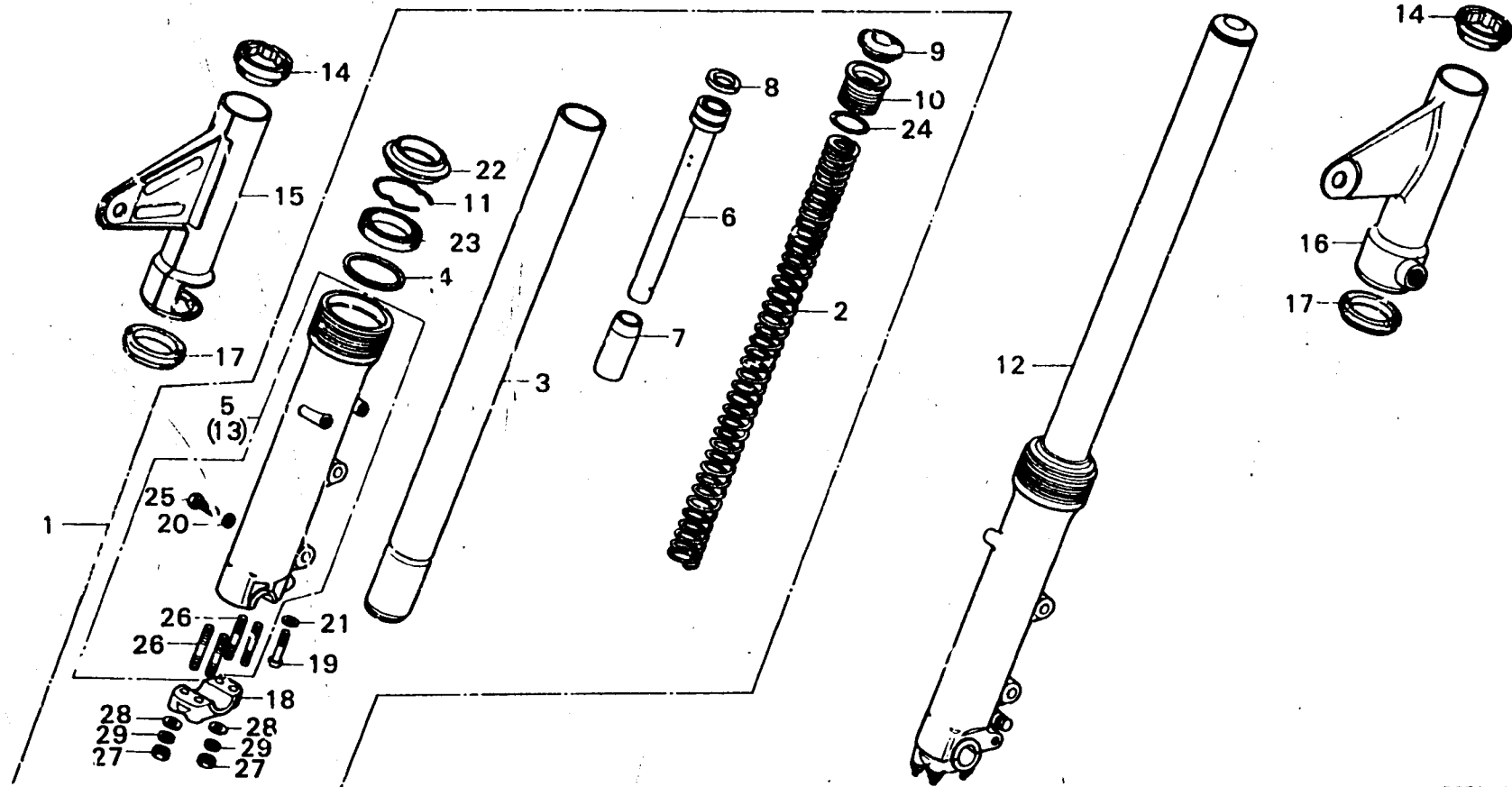


**H 14**

**F-8**

**Front fork**



B371-23

Service item	F.R.T.	Ref. No.	Part No.	Description	Reqd. No.		Serial No.	Area code
					GL1000	GL1000 LTD K1 K2		
			51634-371-980	HOLDER, AXLE		2		
		19	90116-283-010	BOLT, SOCKET, 8MM	2	2	2	2
		20	90543-273-000	PACKING, FR. FORK DRAIN COCK	2	2	2	2
		21	90544-283-000	WASHER, SPECIAL, 8MM	2	2	2	2
		22	91254-371-003	DUST SEAL, 37X58X14,7	2	2	2	2
		23	91255-371-003	OIL SEAL, 37X48X11	2	2	2	2
			91255-431-671	OIL SEAL, 37X40X12,5	2	2	2	2
		24	91356-371-000	O-RING, 29X2,4	2	2	2	2
		25	92000-06010	BOLT, HEX., 6X10	2		2	2
			91501-371-980	BOLT, HEX., 6X10		2		
		26	92700-08050-30	BOLT, STUD, 8X50	8	8	8	8
		27	94001-08000-05	NUT, HEX., 8MM	8		8	8
			91531-371-980	NUT, HEX., 8MM		8		
		28	94101-08000	WASHER, PLAIN, 8MM	8		8	8
			90082-371-980	WASHER, PLAIN, 8MM		8		
		29	94111-08000	WASHER, SPRING, 8MM	8		8	8
			91563-371-980	WASHER, SPRING, 8MM		0		