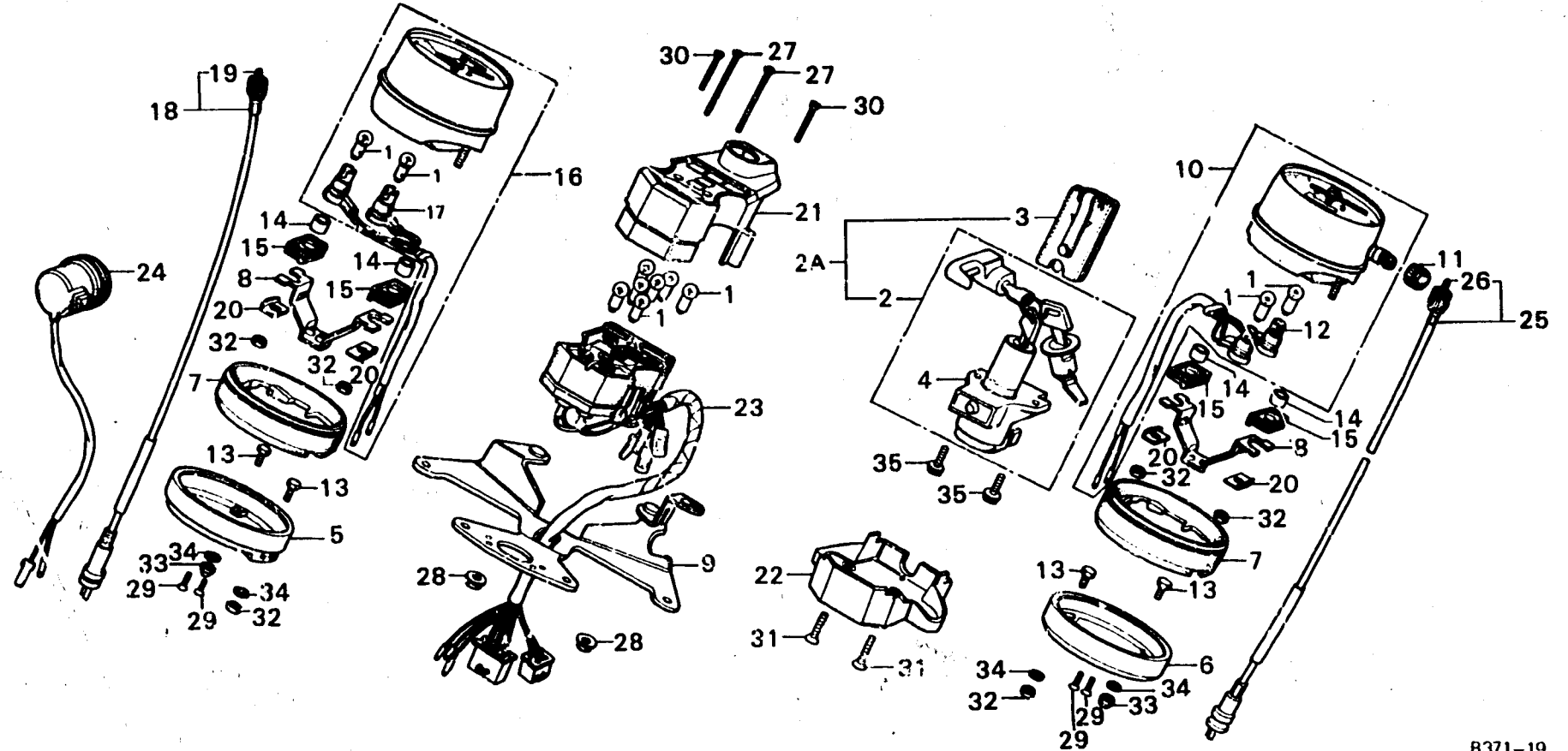


H 5

F-4

**Speedometer •
Tachometer • Key set**



B371-19

Service item	F.R.T.	Ref. No.	Part No.	Description	Reqd. No.				Serial No.	Area code
					GL1000	GL1000	LTDK1	K2		
		27	90306-371-000	SCREW, OVAL, 4X70	2	2	2	2		
		28	90309-357-000	NUT, UBS, 8MM	2	2	2	2		
			90310-371-980	NUT, HEX., 8MM		2				
		29	93700-04008-08	SCREW, OVAL, 4X8	4	4	4	4		
		30	93700-04030-06	SCREW, OVAL, 4X30	2	2	2	2		
		31	93700-04035-06	SCREW, OVAL, 4X35	2	2	2	2		
		32	94001-06000	NUT, HEX., 6MM	6	6	6	6		
		33	94021-06000	NUT, CAP, 6MM	2	2	2	2		
			91540-371-980	NUT, CAP, 6MM		2				
		34	94111-06000	WASHER, SPRING, 6MM	4	4	4	4		
			91563-371-980	WASHER, SPRING, 6MM		4				
		35	95700-06014-08	BOLT, FLANGE, 6X14	2	2	2	2		

1979.04.10

H5