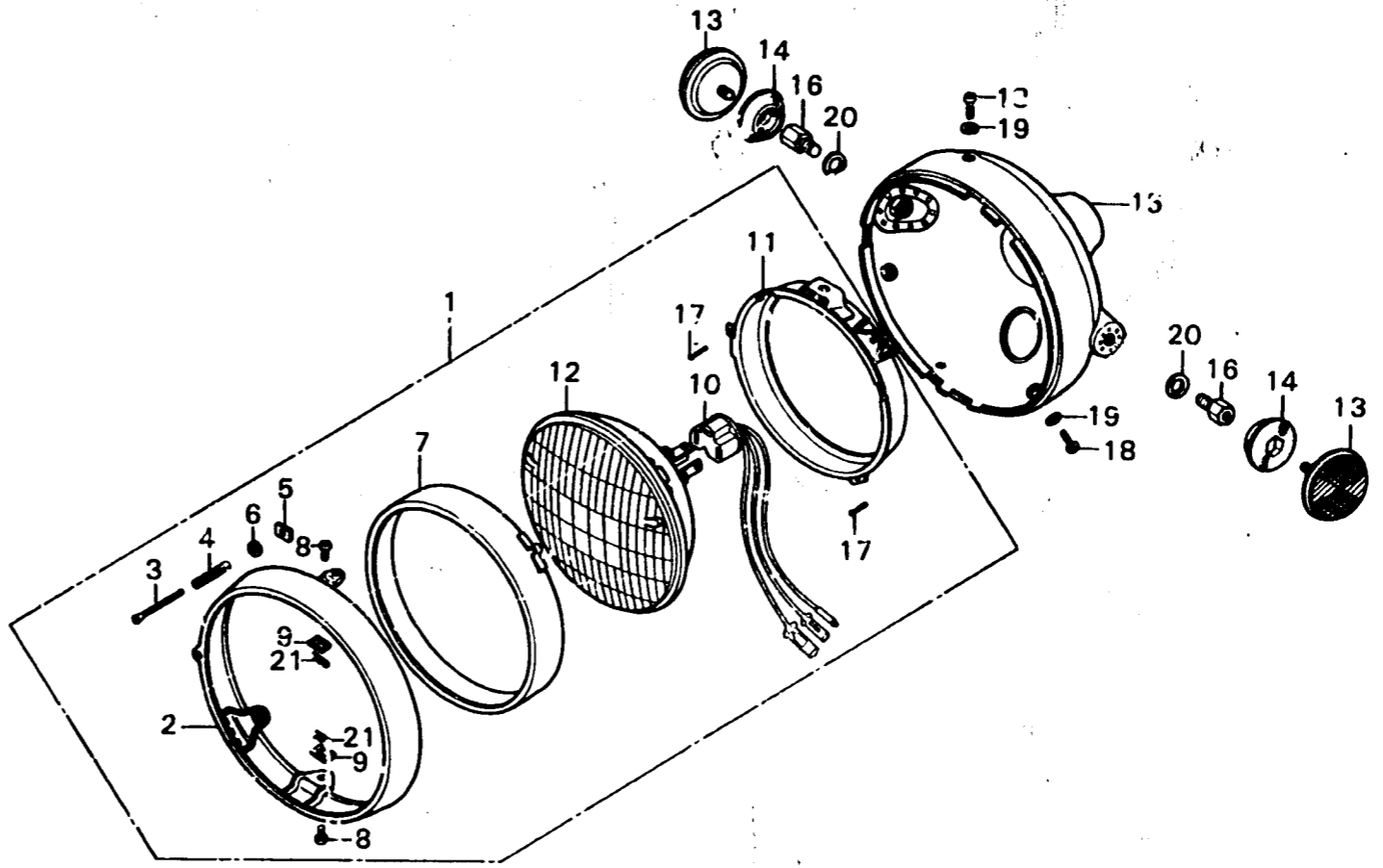


**G 12**

**F-3**

**Headlight  
(A,CM)**



B371-18

Service item	F.R.T.	Ref. No.	Part No.	Description	Reqd. No.				Serial No.	Area code
					GL1000	GL1000	LTDK1	K2		
		19	91521-371-980	SCREW, PAN, 5X16		3				A,CM
			94111-05000	WASHER, SPRING, 5MM	3		3	3		A,CM
		20	91560-371-980	WASHER, SPRING, 5MM		3				A,CM
			94111-10000	WASHER, SPRING, 10MM	2	2	2	2		A,CM
		21	94251-05000	PIN, LOCK, 5MM	2	2	2	2		A,CM

1979.04.10

G12