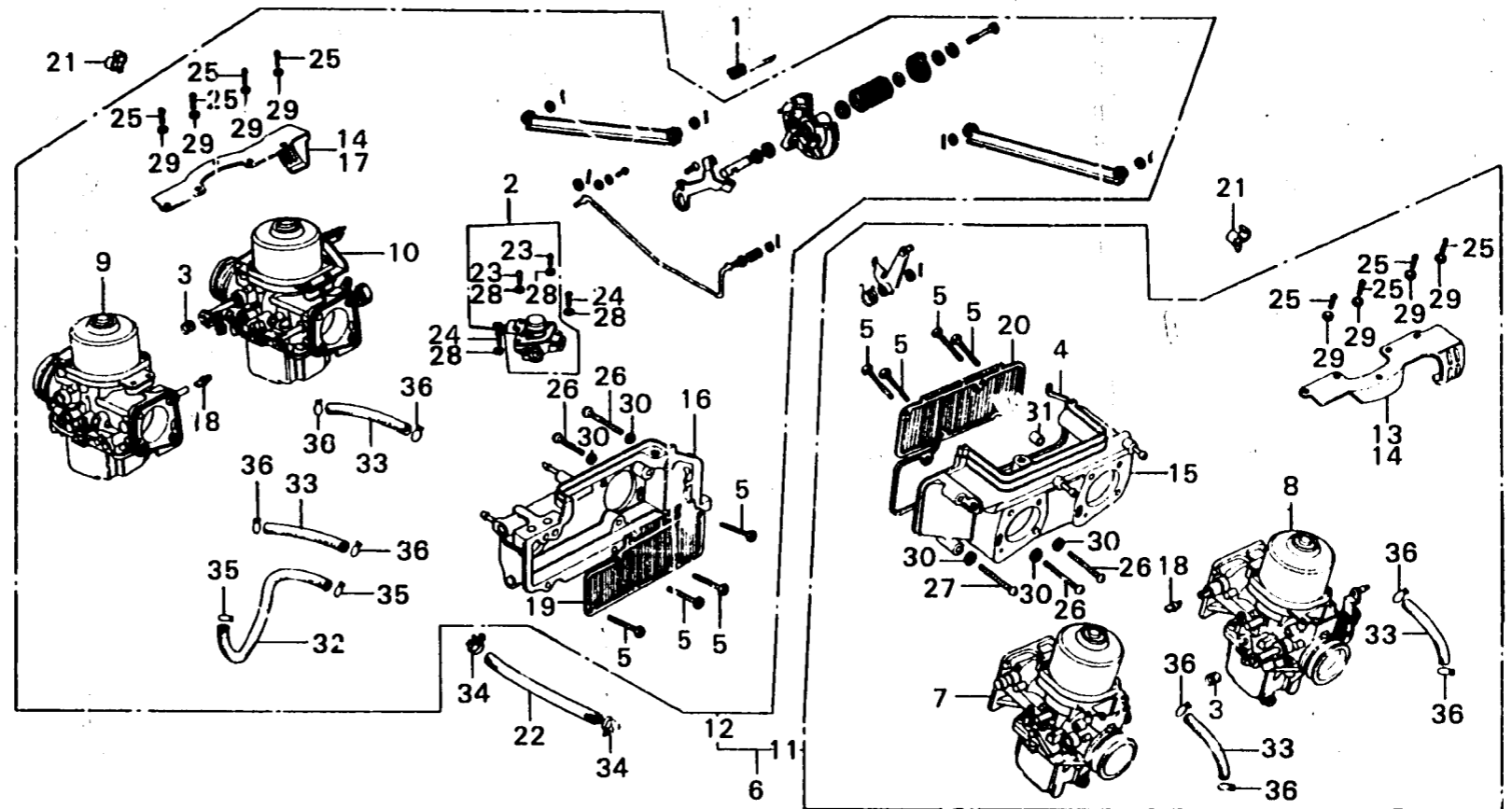


E 13

E-15

Carburetor



B371-15A

Service item	F.R.T.	Ref. No.	Part No.	Description	Reqd. No.				Serial No.	Area code
					GL1000	GL1000	LTD	K1 K2		
		16	16158-371-004	CHAMBER B, AIR	1					
			16158-371-771	CHAMBER B, AIR					2012647	2012646 E,ED,F,G E,ED,F,G A,CM,DK,DM,U
		17	16169-371-771	PLATE, R. STAY			1	1	2012647	E,ED,F,G A,CM,DK,DM,U E,ED,F,G
			16169-371-980	PLATE, R. STAY			1	1		
		18	16172-500-C14	JOINT, CONNECTOR	2	2	2	2		
		19	16196-371-004	BODY COMP. B, FRAME TRAP	1	1	1	1		
		20	16197-371-004	BODY COMP. A, FRAME TRAP	1	1	1	1		
		21	32981-371-000	GROMMET, HIGH TENSION CORD	2	2	2	2		
		22	91320-371-000	HOSE, FUEL, 5,5X160	1	1	1	1		
		23	93500-04010-0A	SCREW, PAN, 4X10	2	2	2	2		
		24	93500-04018-0A	SCREW, PAN, 4X18	2	2	2	2		
		25	93500-05012-0A	SCREW, PAN, 5X12	8		8	A		
			90051-371-980	SCREW, PAN, 5X12		8				
		26	93500-06035	SCREW, PAN, 6X35	4	4	4	4		
		27	93500-06045	SCREW, PAN, 6X45	1	1	1	1		
		28	94111-04000	WASHER, SPRING, 4MM	4	4	4	4		
		29	94111-05000	WASHER, SPRING, 5MM	8		8	8		
			90085-371-980	WASHER, SPRING, 5MM		8				
		30	94111-06000	WASHER, SPRING, 6MM	5	5	5	5		
		31	94301-08140	PIN A, DOWEL, 8X14	2	2	2	2		
		32	95001-35210-40	TUBE, FUEL, 3,5X210	1	1	1	1		

1979.04.10

E13