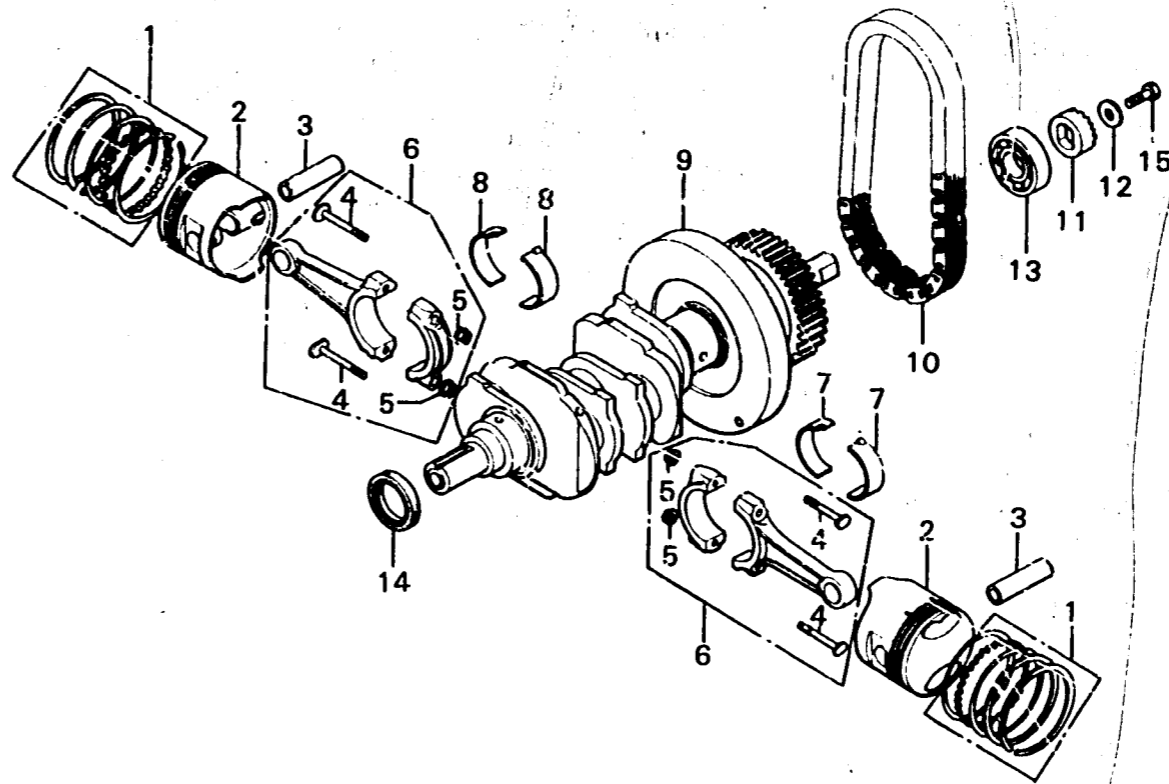


E 3

E-12

Crankshaft • Piston



B371-12

Service item	F.R.T.	Ref. No.	Part No.	Description	Reqd. No.		Serial No.	Area code
					GL1000	GL1000 LTDK1 K2		
CRANKSHAFT COMP.	*8.0	1	13011-371-003	RING SET, PISTON (STD. NIPPON)	4			
6304C BALL BEARING	*7.5					4		2025227
PRIMARY CHAIN	*7.4		13011-371-004	RING SET, PISTON (STD. RIKEN)	4	4	4	4
PISTON (R. SIDE)	*5.9		13021-371-003	RING SET, PISTON (0.25 NIPPON)	(4)			
•Add 0.4						(4)		2025227
PISTON (L. SIDE)	*5.7		13021-371-004	RING SET, PISTON (0.25 RIKEN)	(4)	(4)	(4)	(4)
•Add 0.4			13031-371-003	RING SET, PISTON (0.50 NIPPON)	(4)			
PISTON RING KIT (R. SIDE)	*5.7		13031-371-004	RING SET, PISTON (0.50 RIKEN)	(4)	(4)	(4)	(4)
•Add 0.2			13041-371-003	RING SET, PISTON (0.75 NIPPON)	(4)			
CONNECTING ROD/PISTON PIN (R. SIDE)	*5.7		13041-371-004	RING SET, PISTON (0.75 RIKEN)	(4)	(4)	(4)	(4)
•Add 0.4			13051-371-003	RING SET, PISTON (1.00 NIPPON)	(4)			
CONNECTING ROD/PISTON PIN (L. SIDE)	*5.6		13051-371-004	RING SET, PISTON (1.00 RIKEN)	(4)	(4)	(4)	(4)
•Add 0.4			13011-371-013	RING SET, PISTON (STD. NIPPON)		4		4
CONNECTING ROD BEARING (1.3)	*5.6		13021-371-013	RING SET, PISTON (0.25 NIPPON)	(4)		(4)	2025228
•Add 0.2			13031-371-013	RING SET, PISTON (0.50 NIPPON)	(4)		(4)	2025228
CONNECTING ROD BEARING (2.4)	*5.4		13041-371-013	RING SET, PISTON (0.75 NIPPON)	(4)		(4)	2025228
•Add 0.2			13051-371-013	RING SET, PISTON (1.00 NIPPON)	(4)		(4)	2025228
PISTON RING KIT (L. SIDE)	*5.3					(4)		2025228
•Add 0.1						(4)		2025228
35 x 55 x 8 OIL-SEAL	*5.2							
STARTER RATCHET B.	*3.2	2	13101-371-000	PISTON (STD.)	4	4	4	4
			13102-371-000	PISTON (0.25)	(4)	(4)	(4)	(4)
			13103-371-000	PISTON (0.50)	(4)	(4)	(4)	(4)
			13104-371-000	PISTON (0.75)	(4)	(4)	(4)	(4)
			13105-371-000	PISTON (1.00)	(4)	(4)	(4)	(4)

1/79.04.10

E3