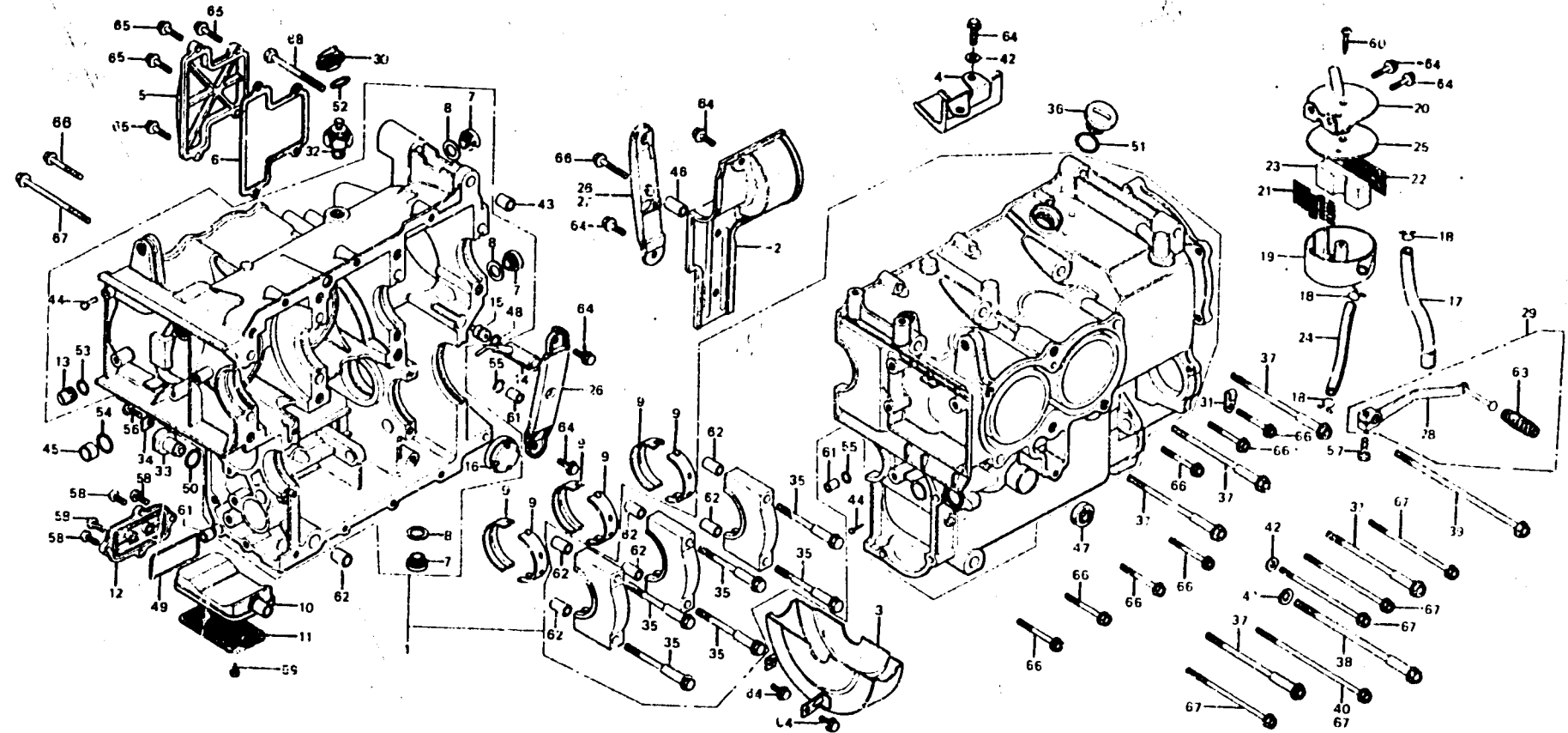


**D 16**

**E-11**

**Cylinder block ·  
Breather chamber**



5.471-11

Service item	F.R.T.	Ref. No.	Part No.	Description	Reqd. No.		Serial No.	Area code
					GL1000	CL1000 LTD K1 K2		
		36	90008-371-000	BOLT, SPECIAL, 23MM	1	1		
			90008-371-980	BOLT, SPECIAL, 25MM		1		
		37	90009-371-005	BOLT, FLANGE, 10X120	5	5		
			90009-371-980	BOLT, FLANGE, 10X120		5		
		38	90010-371-005	BOLT, FLANGE, 10X166	1	1		
		39	90026-371-004	BOLT, FLANGE, 8X175	1	1		
			90026-371-980	BOLT, FLANGE, 8X175		1		
		40	90027-371-006	BOLT, FLANGE, 6X152	1			
			90027-371-980	BOLT, FLANGE, 6X152		1	2038659	
		41	90438-634-000	WASHER, 21X11X2,3	1	1		
		42	90441-028-010	WASHER, SEALING, 6MM	1			
						3		
						3		
		43	90702-371-000	COLLAR, 15X20	1	1	2002360	A, CM, DX, DM, U
		44	90702-634-300	PIN, 4X12MM	2	2		ED, F, G
		45	90703-371-000	COLLAR, 17X10	1	1		E, ED, F, G
		46	90704-371-000	COLLAR, 12X20	1	1		
		47	91206-286-013	OIL SEAL, 14X28X7	1	1		
		48	91259-333-000	O-RING, 9.5X1.7	1	1		
		49	91303-371-000	PACKING A, OIL STRAINER	1	1		
		50	91306-371-003	O-RING, 18X3	1	1		
		51	91307-703-000	O-RING, 26MM	1	1		
		52	91318-500-000	O-RING, 27X2.7	1	1		
		53	91319-300-000	O-RING, 13X2.5	1	1		
		54	91333-567-010	O-RING, 17.0X2.5	1	1		

1979.04.10

D16