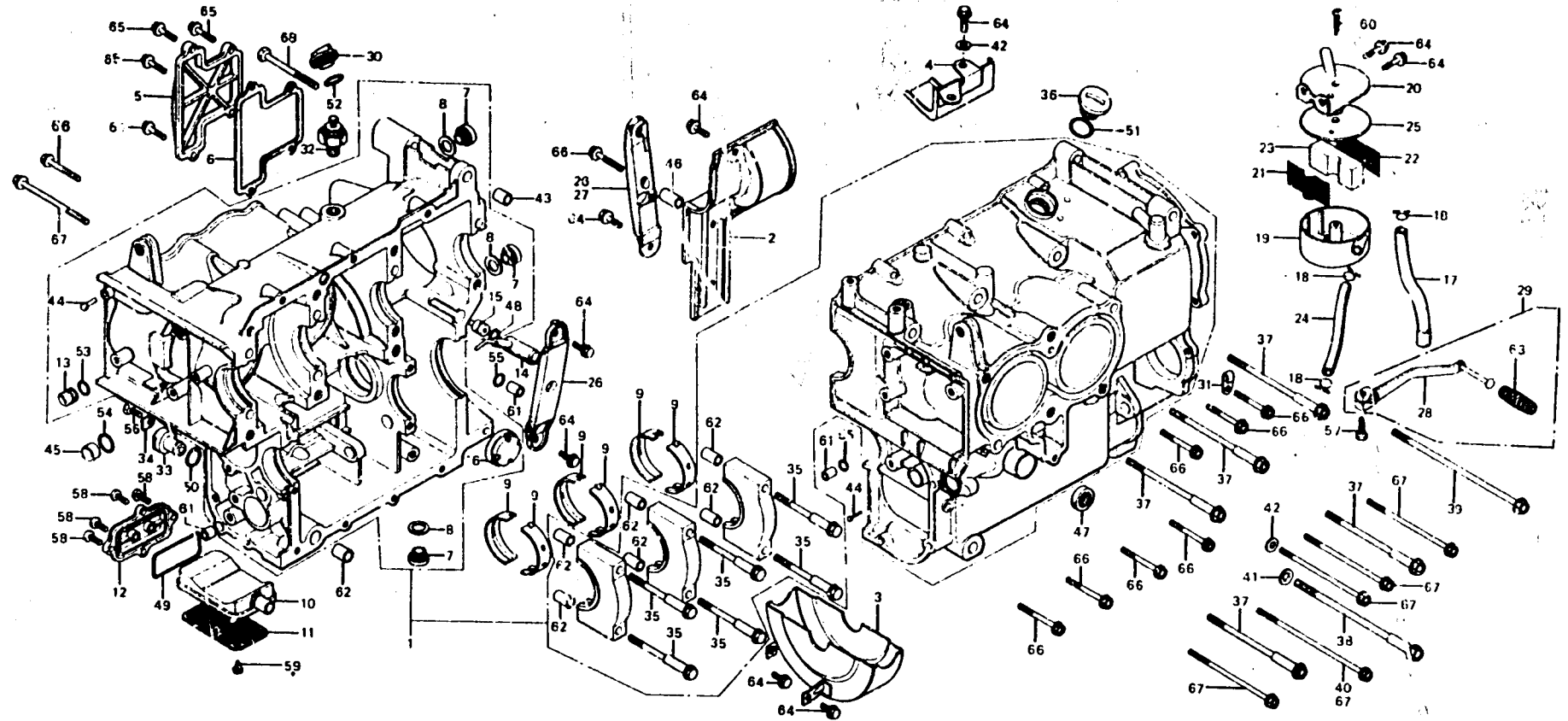


D 15

E-11

**Cylinder block •
Breather chamber**



B371-11

Service item	F.R.T.	Ref. No.	Part No.	Description	Reqd. No.				Serial No.	Area code
					GL1000	GL1000	GL1000	GL1000		
		22	17276-371-000	NET, B. WIRE	1	1	1			
			17276-371-010	NET B, WIRE				1		
		23	17277-371-000	FILTER, BREATHER CHAMBER	1	1	1	1		
		24	17279-371-000	TUBE B, BREATHER	1	1	1	1		
		25	17281-371-000	PACKING, BREATHER CHAMBER	1	1	1			
			17281-371-010	PACKING, BREATHER CHAMBER				1		
		26	23136-371-003	GUIDE, R. PRIMARY CHAIN	2				1016823	
					1				1016824	
		27	23137-371-003	GUIDE, L. PRIMARY CHAIN	1	1	1	1	1016824	
		28	24701-371-000	PEDAL, GEAR CHANGE	1		1	1		
			24701-371-010	PEDAL, GEAR CHANGE			1		2002958	E,ED,F,G
							1			E,ED,F,G
			24701-371-980	PEDAL, GEAR CHANGE			1			A,CM,DK,DM,U
		29	24701-371-305	PEDAL ASSY., GEAR CHANGE	1					E,ED,F,G
		30	25611-371-000	CAP, LEVEL GAUGE	1		1	1	2002957	E,ED,F,G
			25611-371-980	CAP, LEVEL GAUGE			1			
		31	32111-323-000	CLAMPER, CORD	1	1	1	1		
		32	35500-333-004	SWITCH ASSY., OIL PRESSURE	1	1	1	1		
		33	35752-300-010	SWITCH ASSY., NEUTRAL	1	1	1	1		
		34	35754-300-020	STOPPER, NEUTRAL SWITCH	1	1	1	1		
		35	90003-371-003	BOLT, FLANGE, 10X80	6	6	6	6		
			90003-371-013	BOLT, FLANGE, 10X82						
			90003-371-013	BOLT, FLANGE, 10X82	6	6	6	6		

1979.04.10

D15