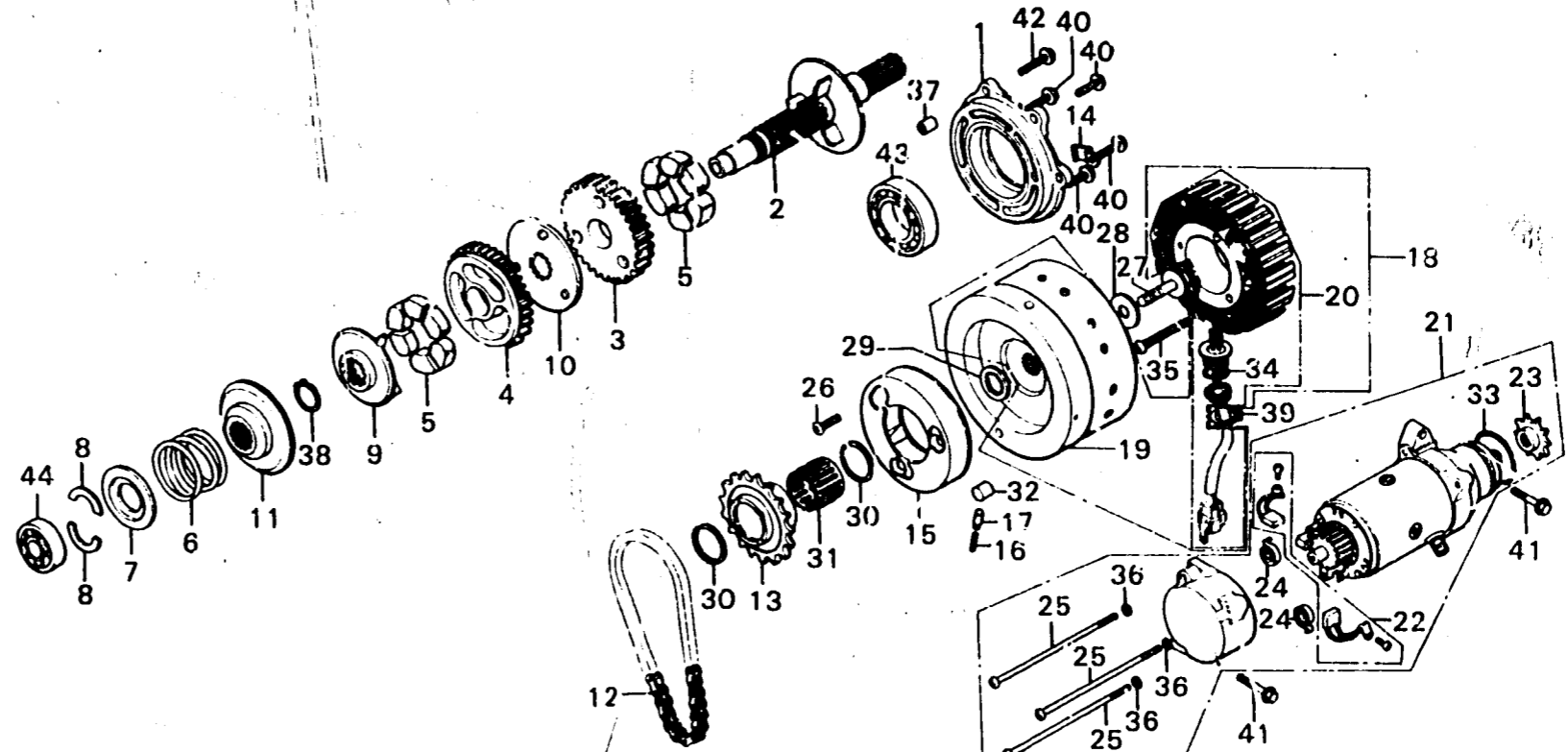


# D 10

## E-10

### Generator • Starter motor



B371-10

Service item	F.R.T.	Ref. No.	Part No.	Description	Reqd. No.				Serial No.	Area code
					GL1000	GL1000	LTD K1	K2		
6303U BALL BEARING	*5.7	1	11321-371-000	HOLDER, A.C. GENERATOR BEARING	1	1	1	1		
A.C. GENERATOR SHAFT and its related parts	*4.0	2	13410-371-000	SHAFT COMP., A.C. GENERATOR	1	1	1	1		
A.C. GENERATOR ASSY.	*3.8	3	13431-371-000	GEAR A, A.C. GENERATOR DRIVEN	1	1	1	1		
FLYWHEEL COMP./STARTING CLUTCH	*3.6	4	13432-371-000	GEAR B, A.C. GENERATOR DRIVEN	1	1	1	1		
STARTING CHAIN/STARTING SPROCKET	*3.5	5	13436-371-000	RUBBER, DAMPER	1	12	12	12		
•CARBON BRUSH/SPRING STARTER COMP.	*3.4	6	13437-371-000	SPRING, A.C. GENERATOR DAMPER	1	1	1	1		
STARTER MOTOR ASSY./SPROCKET	*3.3	7	13438-371-007	RETAINER, A.C. GENERATOR SPRING	1	1	1	1		
		8	13439-371-000	COTTER, A.C. GENERATOR SPRING	2	2	2	2		
		9	13442-371-000	PLATE B, DAMPER	1	1	1	1		
		10	13446-371-000	PLATE, STOPPER	1	1	1	1		
		11	13451-371-000	PLATE, PRESSURE	1	1	1	1		
		12	28101-371-003	CHAIN, STARTING (DAICO)	1	1	1	1		
		13	28111-371-000	SPROCKET, STARTING	1	1	1	1		
		14	28114-371-000	PLATE, CHAIN GUIDE	1	1	1	1		
		15	28120-371-000	CLUTCH, STARTING	1	1	1	1		
		16	28125-516-030	SPRING, STARTING CLUTCH ROLLER	3	3	3	3		
		17	28126-516-020	CAP, STARTING CLUTCH ROLLER SPRING	3	3	3	3		
		18	31100-371-003	A.C. GENERATOR ASSY. (KOKUSAN)	1					
			31100-371-013	GENERATOR ASSY., A.C. (KOKUSAN)			1		2015495	2015494
		19	31110-371-003	FLYWHEEL COMP. (KOKUSAN)	1	1	1	1		
		20	31120-371-003	STATOR COMP. (KOKUSAN)	1					2015494

1979.04.10

D10