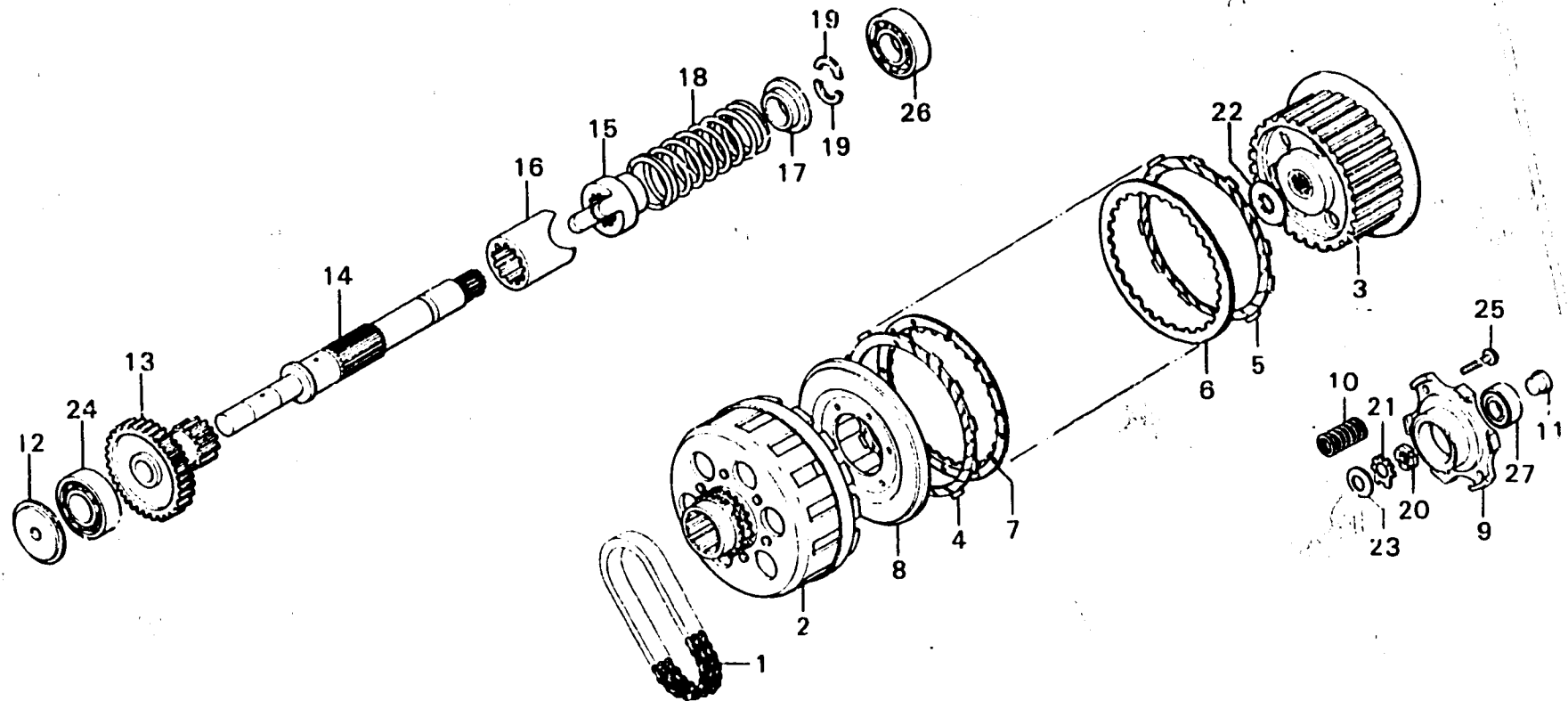


**D 9**

**E-9**

**Clutch · Final gear shaft**



B371-9

Service item	E.R.T.	Ref. No.	Part No.	Description	Reqd. No.				Serial No.	Area code
					GL1000	GL1000 LTD	K1	K2		
		12	23161-371-000	PLATE B, OIL PATH	1	1	1	1		
		13	23511-371-000	GEAR, FINAL DRIVEN (33T)	1	1	1	1		
		14	23521-371-000	SHAFT, FINAL GEAR	1					
						1	1			
			23521-371-020	SHAFT, FINAL GEAR				1	3020260	3020259
		15	23721-371-000	LIFTER, DAMPER	1	1	1	1		
		16	23722-371-000	CAM, DAMPER	1	1	1	1		
		17	23731-371-000	STOPPER, DAMPER SPRING	1	1	1	1		
		18	23732-371-000	SPRING, DAMPER	1	1	1	1		
		19	23733-371-000	WASHER, SPRING STOPPER	2	2	2	2		
		20	90231-200-010	NUT, LOCK, 16MM	1	1	1	1		
		21	90431-292-000	WASHER, LOCK, 16MM	1	1	1	1		
		22	90332-371-000	WASHER, SPLINE, 23MM	1	1	1	1		
		23	90481-292-000	WASHER, OIL FILTER ROTOR LOCK	1	1	1	1		
		24	91002-371-004	BEARING, BALL, 6304C (KOYO)	1	1	1	1		
		25	95700-06018-00	BOLT, FLANGE, 6X18	6	6	6	6		
		26	96100-60030	BEARING, RADIAL BALL, 6003	1	1	1	1		
		27	96100-62050	BEARING, RADIAL BALL, 6205	1	1	1	1		

1979.04.10

D9