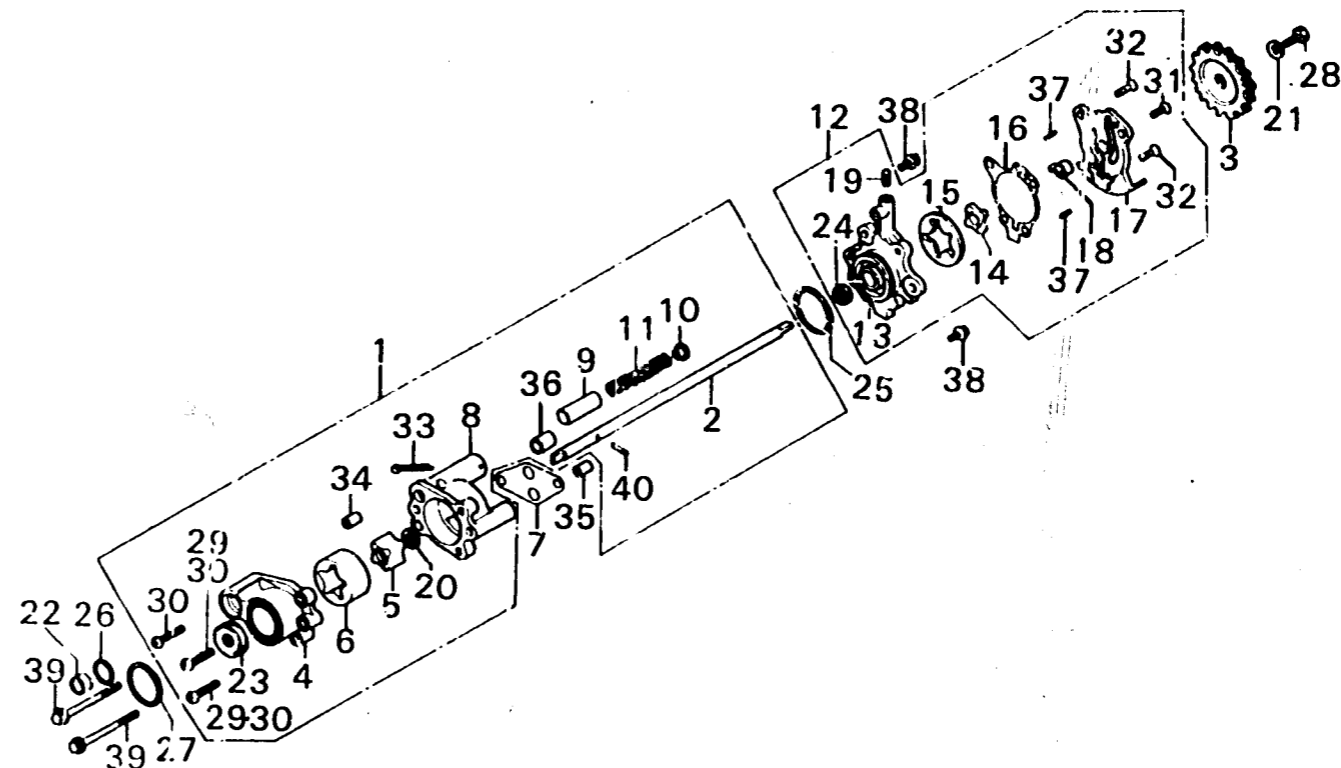


D 2

E-7

Oil pump



8371-7

Service item	F.R.T.	Ref. No.	Part No.	Description	Reqd. No.		Serial No	Area code
					GL1000	GL1000 LTD K1 K?		
			90456-333-000	WASHER, THRUST, 11MM		1	2000035	
					1	1		
		21	90417-041-000	WASHER, SHIFT DRUM SIDE	1	1		
		22	90703-371-000	COLLAR, 17X10	1	1		
		23	91207-580-015	OIL SEAL, 10X25X7	1	1		
		24	91208-300-003	OIL SEAL, 11X15X3	1	1		
		25	91302-200-000	O-RING, 33.5X3	1	1		
		26	91333-567-010	O-RING, 17.0X2.5	1	1		
		27	91345-580-000	O-RING, 29X2.2	1	1		
		28	92000-06012	BOLT, HEX., 6X12	1			
			90004-371-000	BOLT, SPECIAL, 6X12		1	2014841	2014840
		29	93500-06022-014	SCREW, PAN, 6X22	2	1		
		30	93500-06028	SCREW, PAN, 6X28	1	2		2000034 E, ED, F, G
						1		2000034 E, D, F, G
						3	2000035	
		31	93600-05012-0H	SCREW, FLAT, 5X12	1	1		
		32	93600-05014-0A	SCREW, FLAT, 5X14	2	2		
		33	94201-30250	PIN, SPLIT, 3.0X25	1	1		
		34	94301-08100	PIN A, DOWEL, 8X10	1			
						1		2000034 E, ED, F, G
						2	2000035	
		35	94301-08140	PIN A, DOWEL, 8X14	1	1		
						2		
						1		

1979.04.10

02