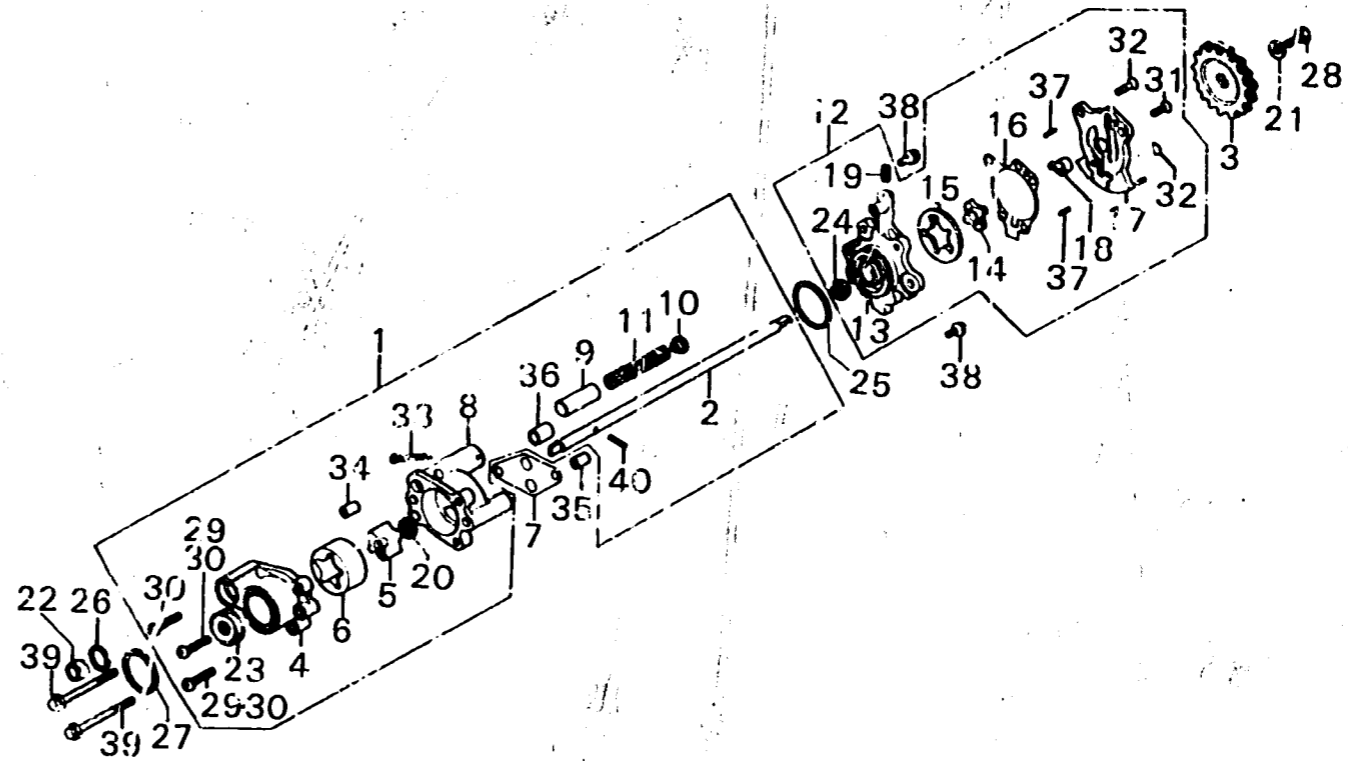


D 1

E-7

Oil pump



0371-7

Service item	F.R.T.	Ref. No.	Part No.	Description	Reqd. No.				Serial No.	Area code
					GL1000	GL1000	LTD	K1 K2		
OIL PUMP BASE/OIL PUMP SHAFT	*4.0	1	15110-371-000	PUMP ASSY., OIL	1	1	1	1		
OIL PUMP ASSY.	*3.8	2	15111-371-000	SHAFT, OIL PUMP	1	1	1	1		
CLUTCH OIL PUMP ASSY. and its related	*3.6	3	15116-371-000	SPROCKET, PUMP DRIVEN	1	1	1	1		
PUMP DRIVEN SPROCKET	*3.3	4	15121-371-000	BODY, OIL PUMP	1					
OIL PUMP BODY/INNER ROTOR/OUTER ROTOR	1.4		15121-371-010	BODY, OIL PUMP		1			2000035	2000034 E,ED,F,G
		5	15125-371-000	ROTOR A, OIL PUMP INNER	1	1	1	1		
		6	15126-371-000	ROTOR A, OIL PUMP OUTER	1	1	1	1		
		7	15128-371-000	PACKING, OIL PATH	1	1	1	1		
		8	15131-371-000	BASE, OIL PUMP	1					
			15131-371-010	BASE, OIL PUMP		1			2000035	2000034 E,ED,F,G
		9	15141-371-000	VALVE, RELIEF	1	1	1	1		
		10	15142-371-000	SEAT, RELIEF VALVE	1	1	1	1		
		11	15143-371-000	SPRING, RELIEF VALVE	1	1	1	1		
		12	15220-371-000	PUMP ASSY., CLUTCH OIL	1	1		1		
		13	15221-371-000	BODY, CLUTCH OIL PUMP	1	1	1	1		
		14	15225-371-000	ROTOR B, INNER	1	1	1	1		
		15	15226-371-000	ROTOR B, OUTER	1	1	1	1		
		16	15229-371-000	PACKING, CLUTCH OIL PUMP	1	1	1	1		
		17	15231-371-000	COVER, CLUTCH OIL PUMP	1	1	1	1		
		18	15236-371-000	COLLAR, OIL PUMP	1	1	1	1		
		19	90025-371-000	SCREW, SEALING	1	1	1	1		
		20	90408-371-000	WASHER, 15MM	1					
						1				2000034 E,ED,F,G

1979.04.10

01