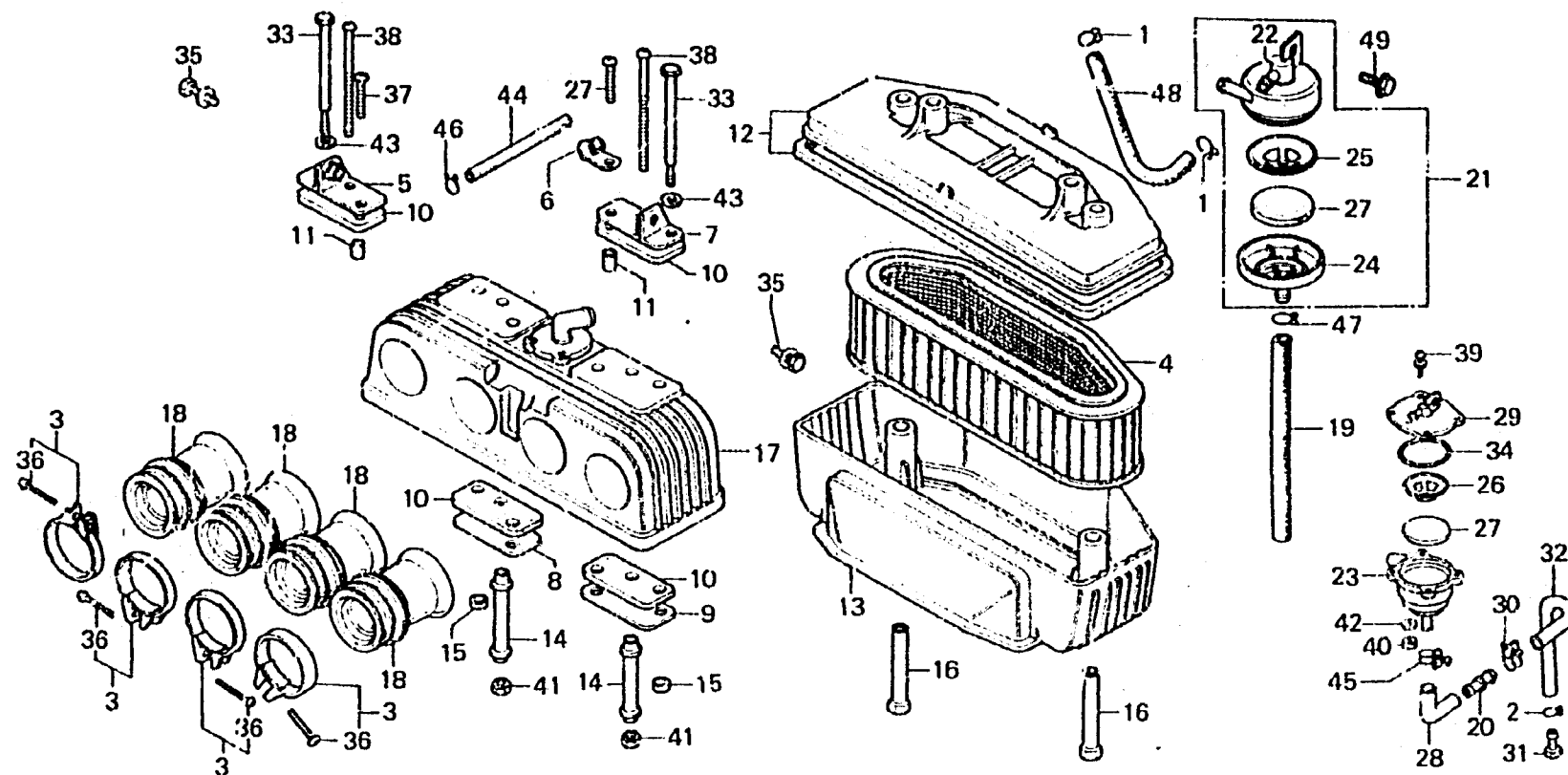


L 15

F-15

Air cleaner



B405-30A

Service item	F.R.T.	Ref. No.	Part No.	Description	Reqd. No. CB750 K7 K8	Serial No.	Area code
AIR CLEANER CASE	0.7	1	15772-292-010	CLIP, BREATHER TUBE	2 2		
AIR CLEANER CASE SEPARATOR and its related parts	0.6	2	15707-634-000	CLIP, OIL DRAIN	1 1	2850001	A
CONDENSATION CHAMBER ASSY. • BODY, CONDENSATION CHAMBER and its related parts	0.5	3	16223-283-000	BAND, CARBURETOR INSULATOR	4 4		
• COVER, CHAMBER		4	17211-405-000	ELEMENT, AIR CLEANER	1 1		
AIR CLEANER ELEMENT/AIR CLEANER CASE COVER	0.3	5	17215-392-000	STAY, R. AIR CLEANER CASE	1 1		
• AIR CLEANER CONNECTING TUBE		6	17215-393-780	CLIP, AIR VENT TUBE	1 1		
		7	17216-392-000	STAY, L. AIR CLEANER CASE	1 1		
		8	17217-392-000	PLATE, R. AIR CLEANER CASE	1 1		
		9	17218-392-000	PLATE, L. AIR CLEANER CASE	1 1		
		10	17219-392-000	RUBBER, AIR CLEANER CASE MOUNT	4 4		
		11	17220-300-010	COLLAR, CLEANER CASE SETTING	2 2		
		12	17230-405-305	SEPARATOR COMP., AIR CLEANER CASE	1 1		
		13	17231-392-000	COVER, AIR CLEANER	1 1		
		14	17237-392-000	COLLER, AIR CLEANER CASE	2 2		
		15	17238-392-000	NUT A, AIR CLEANER COVER	2 2		
		16	17239-392-000	NUT B, AIR CLEANER COVER	2 2		
		17	17240-405-305	CASE COMP., AIR CLEANER	1 1	2731020	2731019
			17240-405-315	CASE COMP., AIR CLEANER	1 1		
		18	17253-405-300	TUBE, AIR CLEANER CONNECTING	4 4		
		19	17358-405-000	TUBE ASSY., DRAIN	1 1		
		20	17359-419-670	JOINT, BREATHER TUBE	1 1		
		21	17360-405-000	CHAMBER ASSY., CONDENSATION	1 1		
		22	17361-405-000	BODY A, CONDENSATION	1 1		
		23	17361-405-770	BODY, CONDENSATION CHAMBER	1 1		

1978.08.01

67

68