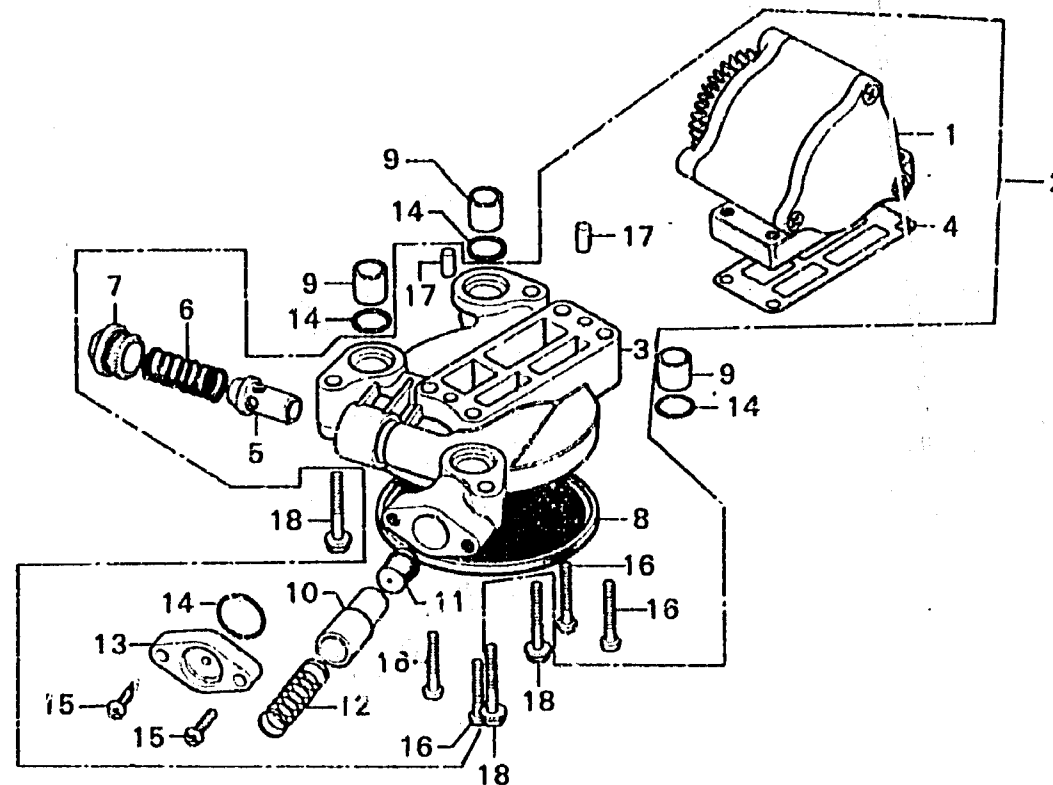


J 4

E-13

Oil pump



B392-12

Service item	F.R.T.	Ref. No.	Part No.	Description	Reqd. No. CB750 K7 K8	Serial No.	Area code
OIL PUMP BASE	1.1	1	15010-300-000	BODY ASSY., OIL PUMP	1 1		
OIL PUMP BODY	1.0	2	15100-300-000	PUMP ASSY., OIL	1 1		
• RELIEF VALVE		3	15105-300-010	BASE COMP., OIL PUMP	1 1		
• OIL LEAK STOPPER VALVE		4	15135-300-010	GASKET, OIL PUMP	1 1		
OIL PUMP ASSY.	0.9	5	15140-300-010	VALVE, RELIEF	1 1		
		6	15145-300-000	SPRING, RELIEF VALVE	1 1		
		7	15147-300-000	CAP, RELIEF VALVE, SPRING	1 1		
		8	15150-300-000	SCREEN, OIL STRAINER	1 1		
		9	15155-300-000	COLLAR, O-RING	3 3		
		10	15161-300-000	VALVE, OIL LEAK STOPPER	1 1		
		11	15166-300-000	SEAL, OIL LEAK STOPPER	1 1		
		12	15171-300-010	SPRING, OIL LEAK STOPPER	1 1		
		13	15176-300-000	CAP, OIL LEAK STOPPER	1 1		
		14	91304-028-000	O-RING, 15X2.5	4 4		
		15	93500-06020	SCREW, PAN, 6X20	2 2		
		16	93500-06032	SCREW, PAN, 6X32	4 4		
		17	94302-04080	PIN B, DOWEL, 4X8	2 2		
		18	95700-06035-00	BOLT, FLANGE, 6X35	3 3		

1978.08.01

K 4

13