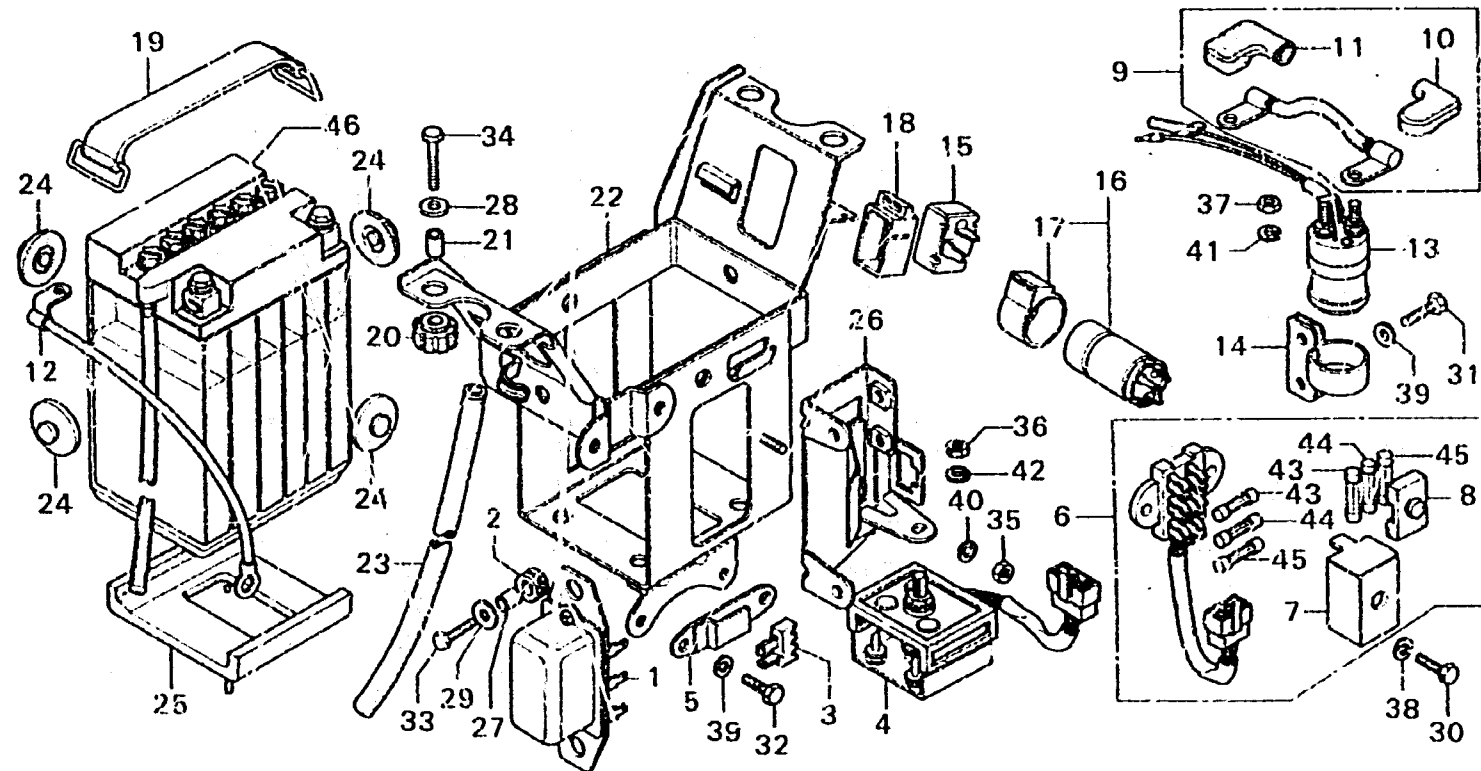


G 15

F-24

Battery • Regulator • Fuse



B341-2R

| Service item | F.R.T. | Ref. No. | Part No. | Description | Reqd. No. CB750K6 | Serial No. | Area code |
|--------------|--------|----------|----------------|--------------------------------|-------------------|------------|-----------|
| | | 20 | 50323-300-010 | RUBBER A, BATTERY | 4 | | |
| | | 21 | 50324-300-000 | COLLAR, BATTERY BOX | 4 | | |
| | | 22 | 50325-341-701 | BOX, BATTERY | 1 | | |
| | | 23 | 50326-341-670 | TUBE ASSY., BATTERY | 1 | | |
| | | 24 | 50327-300-000 | RUBBER B, BATTERY | 4 | | |
| | | 25 | 50329-300-010 | RUBBER C, BATTERY | 1 | | |
| | | 26 | 50330-341-000 | PLATE, ELECTRIC BASE | 1 | | |
| | | 27 | 84706-296-000 | COLLAR, NUMBER BRACKET SETTING | 2 | | |
| | | 28 | 90514-700-000 | WASHER, TANK COLLAR LOCKING | 4 | | |
| | | 29 | 90581-701-000 | WASHER, 18MM | 2 | | |
| | | 30 | 92000-05014-0A | BOLT, HEX., 5X14 | 2 | | |
| | | 31 | 92000-06012 | BOLT, HEX., 6X12 | 2 | | |
| | | 32 | 92000-06016 | BOLT, HEX., 6X16 | 2 | | |
| | | 33 | 92000-06020 | BOLT, HEX., 6X20 | 2 | | |
| | | 34 | 92000-06025 | BOLT, HEX., 6X25 | 4 | | |
| | | 35 | 94001-06000 | NUT, HEX., 6MM | 1 | | |
| | | 36 | 94001-08000-0S | NUT, HEX., 8MM | 1 | | |
| | | 37 | 94002-06080 | NUT, HEX., 8MM | 2 | | |
| | | 38 | 94101-05000 | WASHER, PLAIN, 5MM | 2 | | |
| | | 39 | 94101-06000 | WASHER, PLAIN, 6MM | 4 | | |
| | | 40 | 94111-06000 | WASHER, SPRING, 6MM | 1 | | |
| | | 41 | 94111-06800 | WASHER, SPRING, 6MM | 2 | | |
| | | 42 | 94111-08000 | WASHER, SPRING, 8MM | 1 | | |
| | | 43 | 98200-10500 | FUSE A (5A) | 2 | | |
| | | 44 | 98200-10700 | FUSE A (7A) | 2 | | |

1978.02.20

F-24