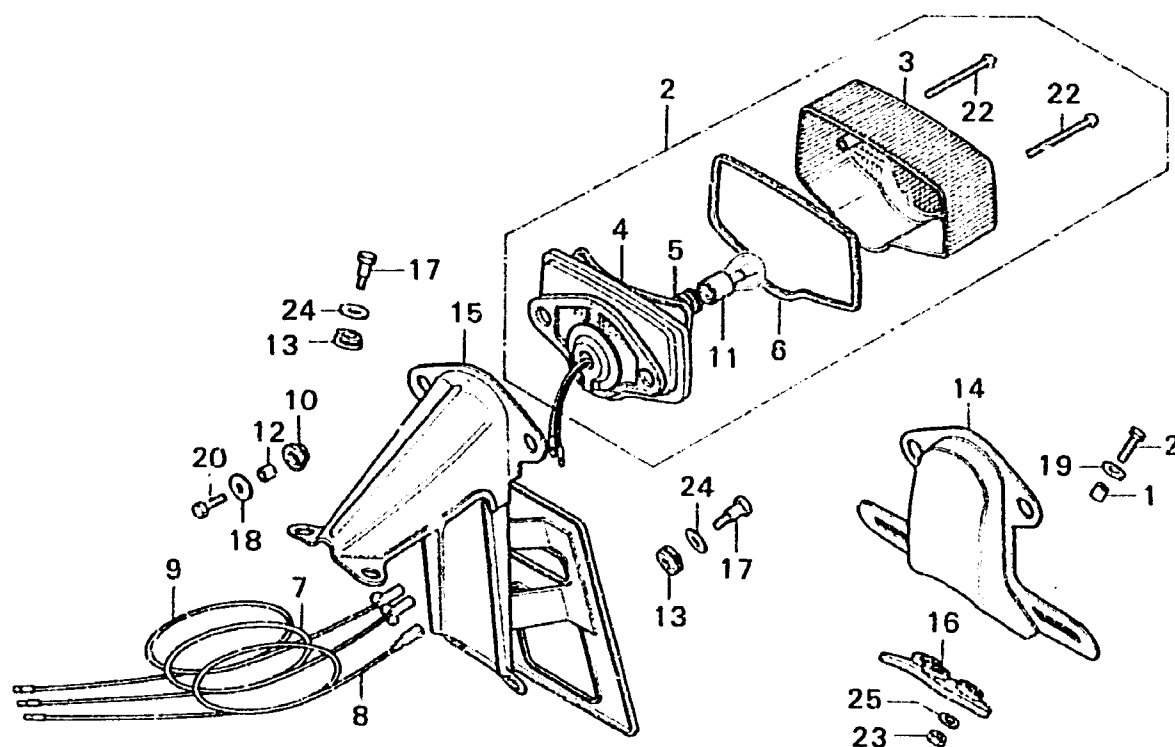


G 11

F-23-1

Taillight (E,ED,F)



B590-39-1

Service item	F.R.T.	Ref. No.	Part No.	Description	Reqd. No. CB750K6	Serial No.	Area code
NUMBER PLATE BRACKET	0.3	1	33603-053-650	COLLAR, RR. WINKER STAY	3		ED,F
TAIL LIGHT UNIT/TAIL LIGHT BASE and those related parts	0.2	2	33701-323-603	TAILLIGHT UNIT (12V 21/5W)	1		E,ED
			33701-323-604	TAILLIGHT UNIT (12V 21/5W)	1		F
• TAIL LIGHT SUB CORD	0.1	3	33702-323-603	LENS, TAILLIGHT	1		E,ED
			33702-323-604	LENS, TAILLIGHT	1		F
TAIL LIGHT LENS/BULB	0.1	4	33703-077-671	BASE, TAILLIGHT	1		E,ED,F
		5	33708-077-671	CORD COMP., TAILLIGHT	1		E,ED,F
		6	33709-077-671	PACKING, TAILLIGHT LENS	1		E,ED,F
		7	33711-300-000	SUB CORD, TAILLIGHT (BROWN)	1		E,ED,F
		8	33712-300-003	CORD, TAILLIGHT EARTH	1		E,ED,F
		9	33713-300-000	SUB CORD, TAILLIGHT (GREEN/YELLOW)	1		E,ED,F
		10	33719-077-671	PACKING B, TAILLIGHT BASE	2		E,ED,F
		11	34911-634-611	BULB (12V21/5W) (LOCAL PROCUREMENT)	1		E,ED,F
		12	35851-292-000	COLLAR, STARTING MAGNETIC SWITCH SET	2		E,ED,F
		13	80101-283-000	RUBBER, RR. FENDER CUSHION	4		E
		14	84701-300-020XM	BRACKET, NUMBER PLATE	1		ED,F
		15	84701-390-600	BRACKET, NUMBER PLATE	1		E
		16	84702-300-010	SEAT, NUMBER PLATE BRACKET	1		ED,F
		17	90162-292-000	BOLT, FR. FENDER SETTING	4		E
		18	90581-310-000	WASHER, PLAIN, 20MM	2		E,ED,F
		19	90581-701-000	WASHER, 18MM	3		ED,F
		20	92000-05020-08	BOLT, HEX., 5X20	2		E,ED,F
		21	92000-06020	BOLT, HEX., 6X20	3		ED,F
		22	93500-04050-4J	SCREW, PAN, 4X50	2		E,ED,F
			1978.02.20				

F-23-1

H 11