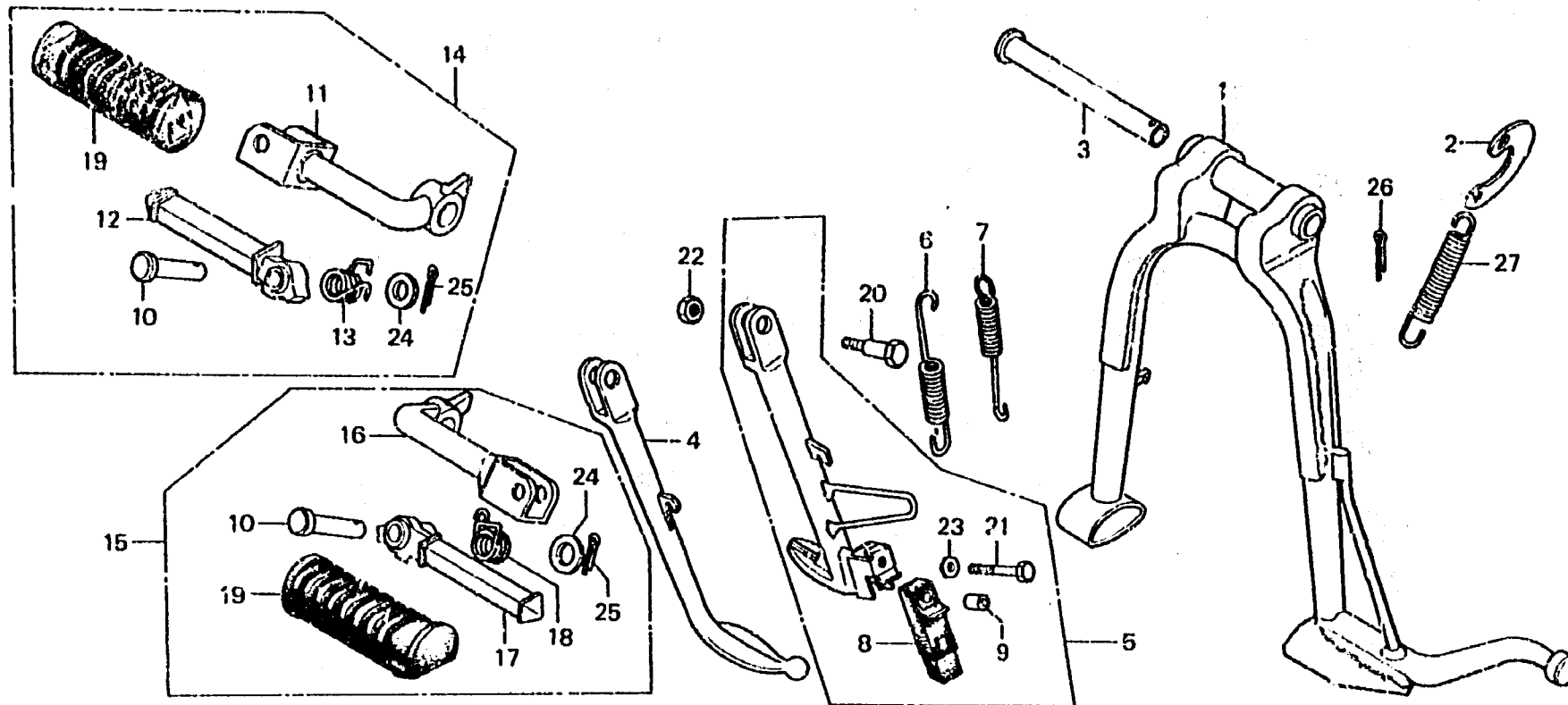


F 14

F-18

Stand • Step



B341-22

Service item	F.R.T.	Ref. No.	Part No.	Description	Reqd. No. CB750K6	Serial No.	Area code
MAIN STAND/PIVOT PIPE	0.5	1	50500-300-020B	STAND COMP., MAIN	1		
SIDE STAND BAR/PIVOT SCREW	0.2	2	50527-300-010	PLATE, MAIN STAND SPRING	1		
• MAIN STAND SPRING/SRING PLATE		3	50526-300-000	PIPE, MAIN STAND PIVOT	1		
STEP and its related parts	0.1	4	50530-341-670	BAR, SIDE STAND	1		DK, DH, E, ED, F, U
• STAND RUBBER/SIDE STAND SPRING		5	50540-341-670	BAR ASSY., SIDE STAND	1		A, CH, G
		6	50542-273-000	SPRING, SIDE STAND	1		
		7	50542-341-610	SUB SPRING, SIDE STAND	1		G
		8	50548-356-700	RUBBER, STAND	1		A, CH, G
		9	50549-356-700	COLLAR, STAND RUBBER SETTING	1		A, CH, G
		10	50603-033-000	PIN, STEP BAR JOINT	2		
		11	50615-341-670	BAR COMP., R. STEP	1		
		12	50616-310-000	ARM COMP., R. STEP	1		
		13	50617-300-670	SPRING, R. STEP RETURN	1		
		14	50630-341-670	STEP ASSY., R.	1		
		15	50640-300-670B	STEP ASSY., L.	1		
		16	50641-300-670B	BAR COMP., L. STEP	1		
		17	50642-310-000	ARM COMP., L. STEP	1		
		18	50644-300-670	SPRING, L. STEP RETURN	1		
		19	50661-310-000	RUBBER, STEP	2		
		20	90108-283-000	SCREW, SIDE STAND PIVOT	1		
		21	92000-06028	BOLT, HEX., 6X28	1		A, CH, G
		22	94002-10000-05	NUT, HEX., 10MM	1		
		23	94101-06000	WASHER, PLAIN, 6MM	1		A, CH, G
		24	94101-08000	WASHER, PLAIN, 8MM	2		
		25	94201-16150	PIN, SPLIT, 1.6X15	2		

1978.02.20

F-18