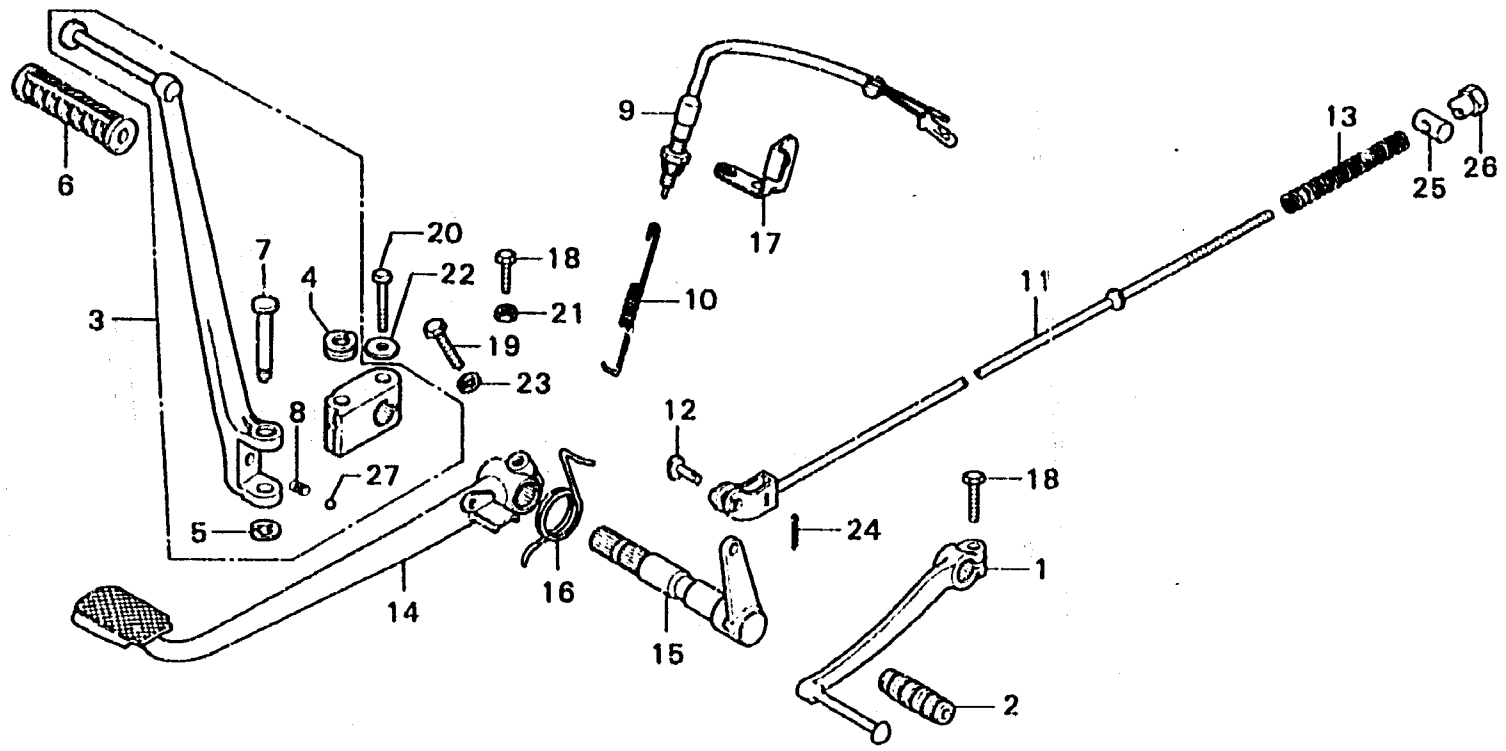


F 12

F-17

Change pedal •
Brake pedal • Kick arm



B341-21

Service item	F.R.T.	Ref. No.	Part No.	Description	Reqd. No. CB750K6	Serial No.	Area code
REAR BRAKE SPINDLE/BRAKE ROD/BRAKE PEDAL SPRING	0.8	1	24701-300-020	PEDAL, GEAR CHANGE	1		
		2	24781-205-000	RUBBER, GEAR CHANGE PEDAL	1		
BRAKE PEDAL	0.2	3	28240-300-000	STARTER ASSY., KICK	1		
• KICK STARTER KNUCKLE PIN and its related part		4	28292-250-010	SPRING, KICK STARTER	1		
		5	28293-250-000	CLIP, KICK STARTER KNUCKLE PIN	1		
GEAR CHANGE PEDAL/RUBBER	0.1	6	28311-329-000	RUBBER, KICK STARTER	1		
• KICK STARTER ASSY./RUBBER		7	28321-300-000	PIN, KICK STARTER KNUCKLE	1		
		8	20333-300-000	SPRING, KICK STARTER STOPPER	1		
		9	35350-336-000	SWITCH ASSY., STOP	1		
		10	35357-300-000	SPRING, STOP SWITCH	1		
		11	43451-341-000	ROD COMP., RR. BRAKE	1		
		12	43471-292-010	PIN, BRAKE ROD JOINT	1		
		13	43472-212-000	SPRING, RR. BRAKE ROD	1		
		14	46500-341-670	PEDAL, BRAKE	1		
		15	46510-300-010	SPINDLE COMP., RR. BRAKE	1		
		16	46514-300-000	SPRING, BRAKE PEDAL	1		
		17	50156-300-070	BRACKET, STOP SWITCH	1		
		18	92000-06020	BOLT, HEX., 6X20	2		
		19	92000-08028-0A	BOLT, HEX., 8X28	1		
		20	92000-08028-0B	BOLT, HEX., 8X28	1		
		21	94002-06000	NUT, HEX., 6MM	1		
		22	94102-08200	WASHER, PLAIN, 8MM	1		
		23	94111-08000	WASHER, SPRING, 8MM	1		
		24	94201-16150	PIN, SPLIT, 1.6X15	1		
		25	95015-32001	JOINT B, BRAKE ARM	1		

1978.02.20

F-17

66

F 12