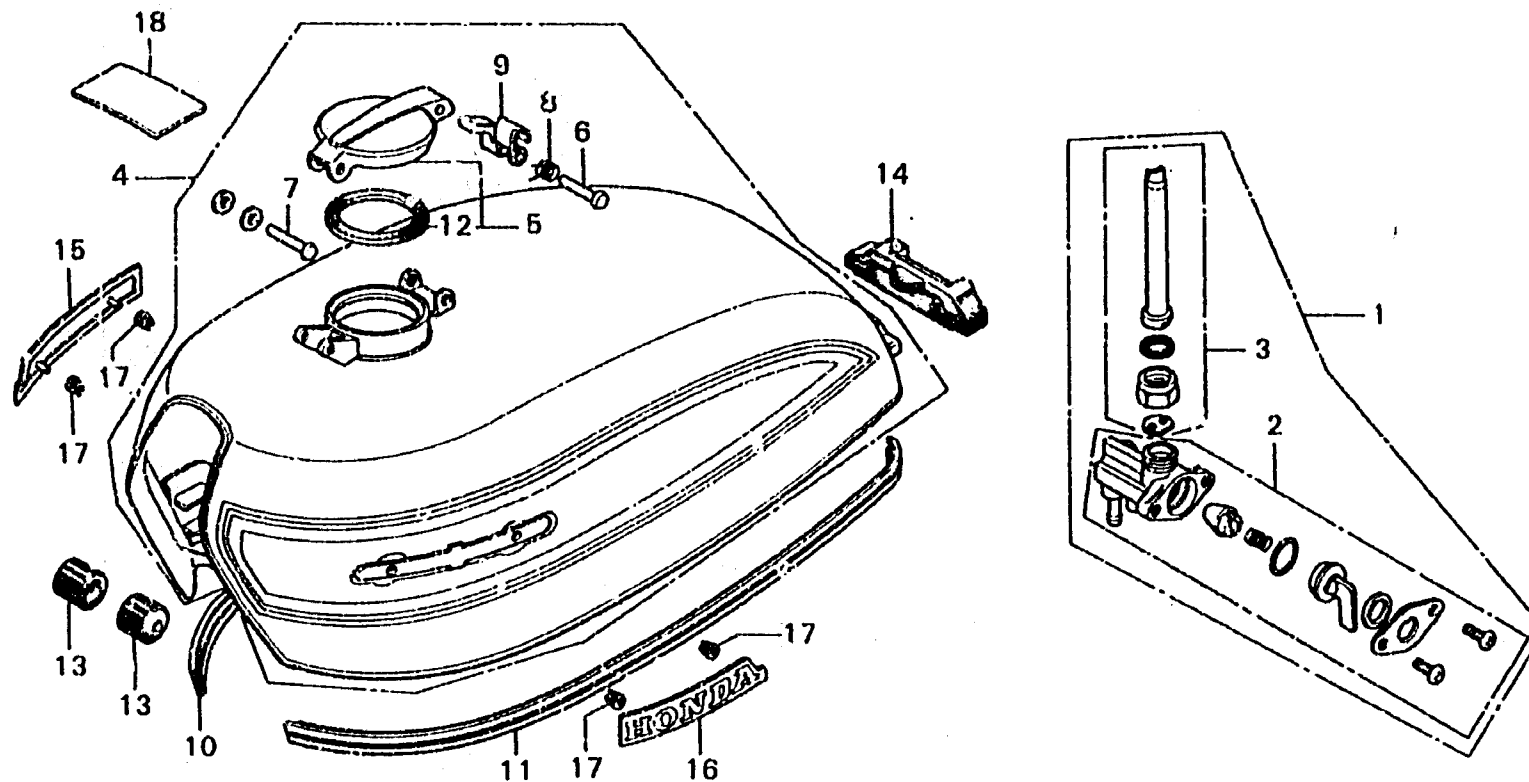


F 5

F-12

Fuel tank



B341-14

Service item	F.R.T.	Ref. No.	Part No.	Description	Reqd. No. CB750K6	Serial No.	Area code
FUEL TANK	0.4	1	16950-341-671	COCK ASSY., FUEL	1		
FUEL COCK ASSY. and its related parts	0.2	2	16951-341-671	BODY SET	1		
FUEL FILLER CAP CHECK	0.1	3	16952-341-671	STRAINER SET	1		
• FUEL TANK EMBLEM		4	17500-341-770ZA	TANK COMP., FUEL *PB-3C-F*	1		A, CH
• FUEL TANK Moulding			17500-341-770ZB	TANK COMP., FUEL *R-6C-S*	1		
• One or all			17500-341-770ZC	TANK ASSY., FUEL *R-2C-F*	1		DK, DM, E, ED, F, G, U
			17500-341-770ZD	TANK ASSY., FUEL *PB-3C-C*	1		DK, DM, E, ED, F, G, U
		5	17510-323-310	CAP COMP., FUEL TANK	1		
		6	17513-300-300	PIN, FUEL FILLER CAP CHECK	1		
		7	17514-323-300	PIN B, FUEL FILLER CAP	1		
		8	17515-300-300	SPRING, FUEL FILLER CAP CHECK	1		
		9	17517-300-340	CHECK, FUEL FILLER CAP	1		
		10	17521-300-010	MOULDING, R. FUEL TANK	1		
		11	17522-300-010	MOULDING, L. FUEL TANK	1		
		12	17534-323-300	GASKET, FUEL FILLER CAP	1		
		13	17611-283-010	CUSHION, FUEL TANK FR.	2		
		14	17613-292-000	CUSHION, FUEL TANK RR.	1		
		15	87121-341-700	EMBLEM, R. FUEL TANK	1		
		16	87122-341-700	EMBLEM, L. FUEL TANK	1		
		17	87311-516-000	NUT, EMBLEM CLAMP	4		
		18	87560-375-680A	MARK, DRIVE CAUTION	1		
			87560-375-680P	MARK, DRIVE CAUTION	1		DK, DM, E, ED, F, G, U

1978.02.20

F-12