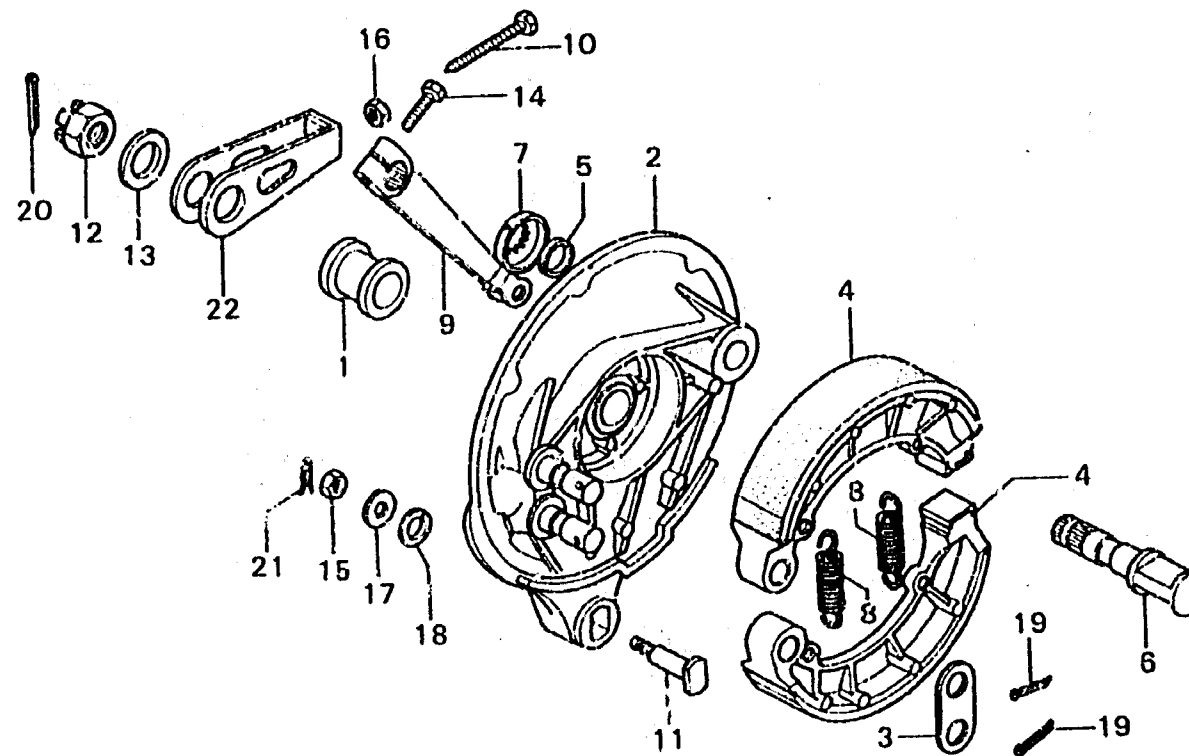


**F 2**

**F-10**

Rear brake panel



6341-12

Service Item	F.R.T.	Ref. No.	Part No.	Description	Reqd. No. CB750K6	Serial No.	Area code
REAR BRAKE PANEL and its related parts	0.7	1	42313-300-020	COLLAR, RR. BRAKE PANEL SIDE	1		
REAR BRAKE PANEL SIDE COLLAR	0.5	2	43100-341-010	PANEL, RR. BRAKE	1	2580923	
REAR BRAKE ARM and its related parts	0.1	3	43100-341-030	PANEL COMP., RR. BRAKE	1	2580924	
• REAR BRAKE STOPPER ARM BOLT		4	43102-319-000	WASHER, ANCHOR PIN	1		
		5	43120-300-010	SHOE COMP., RR. BRAKE	2		
		6	43134-300-000	DUST SEAL, BRAKE CAM	1		
		7	43141-341-000	CAM, RR. BRAKE	1	2580923	
		8	43141-341-020	CAM, RR. BRAKE	1	2580924	
		9	43145-341-000	PLATE, BRAKE INDICATOR	1	2580923	
		10	43145-341-010	PLATE, BRAKE INDICATOR	1	2580924	
		11	43151-346-000	SPRING, RR. BRAKE SHOE	2		
		12	43410-341-700	ARM, RR. BRAKE	1	2580923	
		13	43410-341-710	ARM, RR. BRAKE	1	2580924	
		14	90119-300-000	BOLT, CHAIN ADJUSTING	1		
		15	90127-323-000	BOLT, RR. BRAKE STOPPER ARM	1		
		16	90306-268-000	NUT, RR. WHEEL AXLE	1		
		17	90523-292-000	WASHER 18.5X34	1		
		18	92000-08022-0A	BOLT, HEX., 8X22	1		
		19	94001-08000-0S	NUT, HEX., 8MM	1		
		20	94002-08000-0S	NUT, HEX., 8MM	1		
		21	94101-08000	WASHER, PLAIN, 8MM	1		
		22	94111-10000	WASHER, SPRING, 10MM	1		
			94201-25200	PIN, SPLIT, 2.5X20	2		
			94201-40300	PIN, SPLIT, 4.0X30	1		
			94251-08000	PIN, LOCK, 8MM	1		
			95014-19000	ADJUSTER K, CHAIN	1		

1978.02.20

F-10

**G 2**