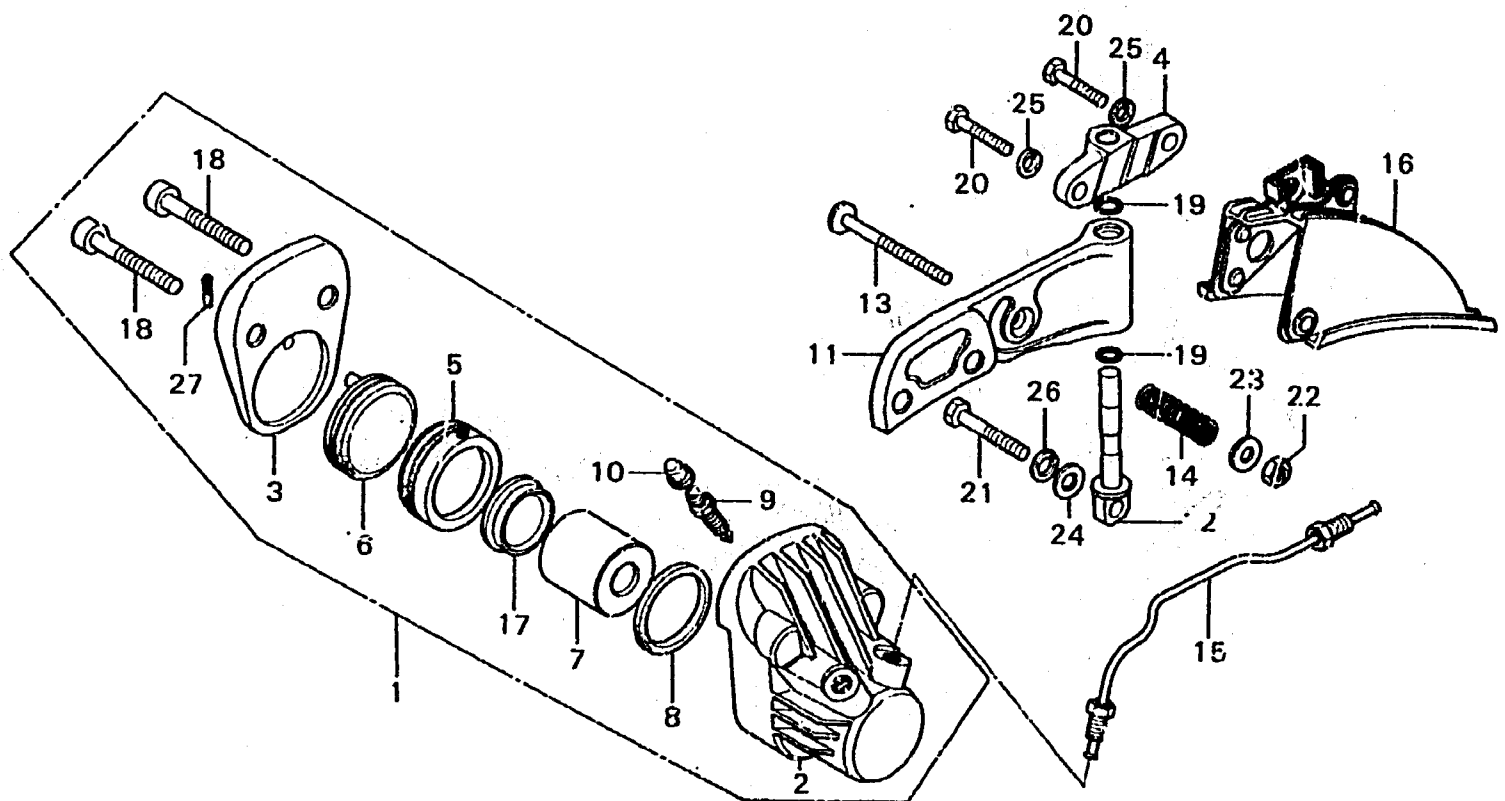


E 14

F-8

Front brake caliper



B341-10

Service item	F.R.T.	Ref. No.	Part No.	Description	Reqd. No. CB750K6	Serial No.	Area code
CALIPER A. and its related parts	0.4	1	45100-341-003	CALIPER ASSY. (TOKIKO)	1		
CALIPER ASSY.	0.3	2	45101-300-053	CALIPER A (TOKIKO)	1		
• CALIPER HOLDER		3	45102-300-043	CALIPER B (TOKIKO)	1		
• FRONT BRAKE PIPE		4	45104-317-700	JOINT, CALIPER HOLDER	1		
CALIPER B.	0.2	5	45105-341-300	PAD COMP. A	1		
• PAD A./B.		6	45106-341-000	PAD COMP. B	1		
• CALIPER HOLDER PIN		7	45107-300-003	PISTON (TOKIKO)	1		
• BLEEDER		8	45108-300-003	SEAL, PISTON (TOKIKO)	1		
DISK COVER	0.1	9	45109-300-003	BLEEDER	1		
• CALIPER HOLDER JOINT		10	45110-300-003	CAP, BLEEDER SCREW	1		
		11	45115-341-670	HOLDER, CALIPER	1		
		12	45116-323-020	PIN, CALIPER HOLDER	1		
		13	45117-341-700	BOLT, CALIPER ADJUSTING	1		
		14	45119-300-020	SPRING, CALIPER ADJUSTING	1		
		15	45128-341-670	PIPE B, FR. BRAKE	1		
		16	45140-341-670	COVER COMP., DISK	1		
		17	45151-300-000	SEAT, PAD	1		
		18	90165-300-023	BOLT, CALIPER SETTING (TOKIKO)	2		
		19	91259-333-000	U-RING, 9.5X1.7	2		
		20	92000-06025	BOLT, HEX., 6X25	2		
		21	92200-08035-0A	BOLT, HEX., 8X35	1		
		22	94001-06000	NUT, HEX., 6MM	1		
		23	94101-06000	WASHER, PLAIN, 6MM	1		
		24	94101-08000	WASHER, PLAIN, 8MM	1		
		25	94111-06000	WASHER, SPRING, 6MM	2		

1978.02.20

F-8

E 14