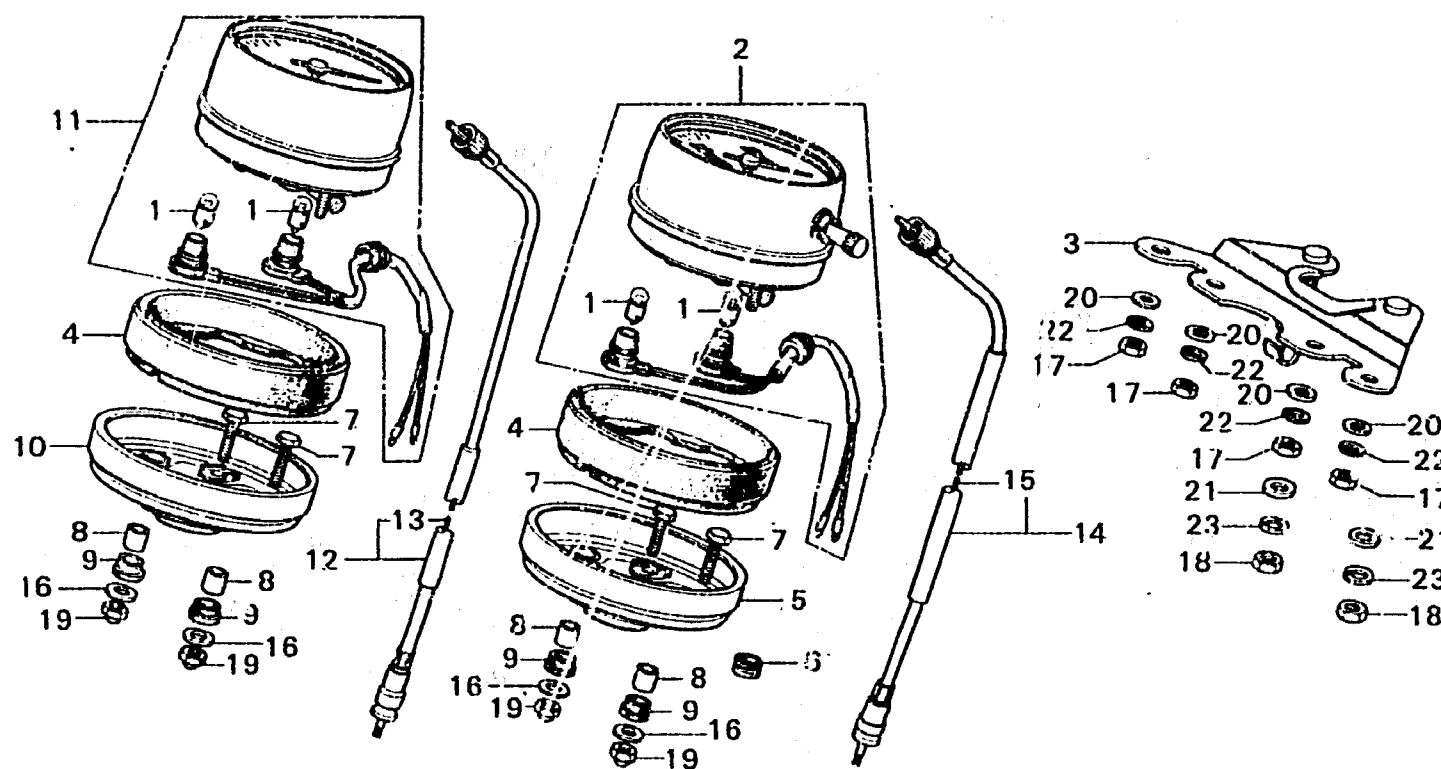


E 3

F-2

Speedometer • Tachometer



B341-4

Service item	F.R.T.	Ref. No.	Part No.	Description	Reqd. No. CB750K6	Serial No.	Area code
METER SET PLATE	0.5	1	34902-259-000	BULB, DASH (12V3.4W)	4		DK, ED, F, G, U
SPEEDOMETER ASSY.	0.3	2	37200-392-621	SPEEDOMETER ASSY. (KPH)	1		DM, E
• TACHOMETER ASSY.			37200-392-771	SPEEDOMETER ASSY. (MPH)	1	2584693	A, CH
TACHOMETER CABLE ASSY.	0.2		37200-405-671	SPEEDOMETER ASSY. (MPH KPH)	1	2584694	DM, E
• METER CUSHION/METER UNDER PLATE		3	37211-341-700	PLATE, METER SET	1		DK, ED, F, G, U
TACHOMETER INNER CABLE	0.1	4	37235-323-700	CUSHION, SPEEDOMETER	2		DM, E
• SPEEDOMETER CABLE ASSY./INNER CABLE		5	37236-323-700	PLATE, SPEEDOMETER UNDER	1	2584693	DK, ED, F, G, U
• DUSH BULB			37236-392-000	PLATE, SPEEDOMETER UNDER	1	2584694	DM, E
			37236-404-000	PLATE, SPEEDOMETER UNDER	1	2584694	DM, E
		6	37237-323-700	GRUNNET, METER PLATE	1		DK, ED, F, G, U
		7	37238-323-700	BOLT, METER SET, 6MM	4		
		8	37243-323-700	COLLAR, METER SET	4		
		9	37244-307-670	RUBBER, METER SETTING	4		
		10	37246-323-700	PLATE, TACHOMETER UNDER	1	2584693	DM, E
			37246-404-000	PLATE, TACHOMETER UNDER	1	2584694	A, CH, DK, ED, F, G, U
			37246-404-000	PLATE, TACHOMETER UNDER	1	2584694	DM, E
		11	37250-341-000	TACHOMETER ASSY.	1	2584693	DM, E
			37250-341-009	TACHOMETER ASSY.	1	2584694	A, CH, DK, ED, F, G, U
		12	37260-300-000	CABLE ASSY., TACHOMETER	1		DM, E
		13	37261-300-000	CABLE, TACHOMETER INNER	1		
		14	44830-300-672	CABLE ASSY., SPEEDOMETER	1		
		15	44831-300-673	CABLE, SPEEDOMETER INNER	1		
		16	90545-323-700	WASHER, 6.5X1.8	4		
		17	94001-06070	NUT, HEX., 6MM	4		

1978.02.20

F-2

F 3