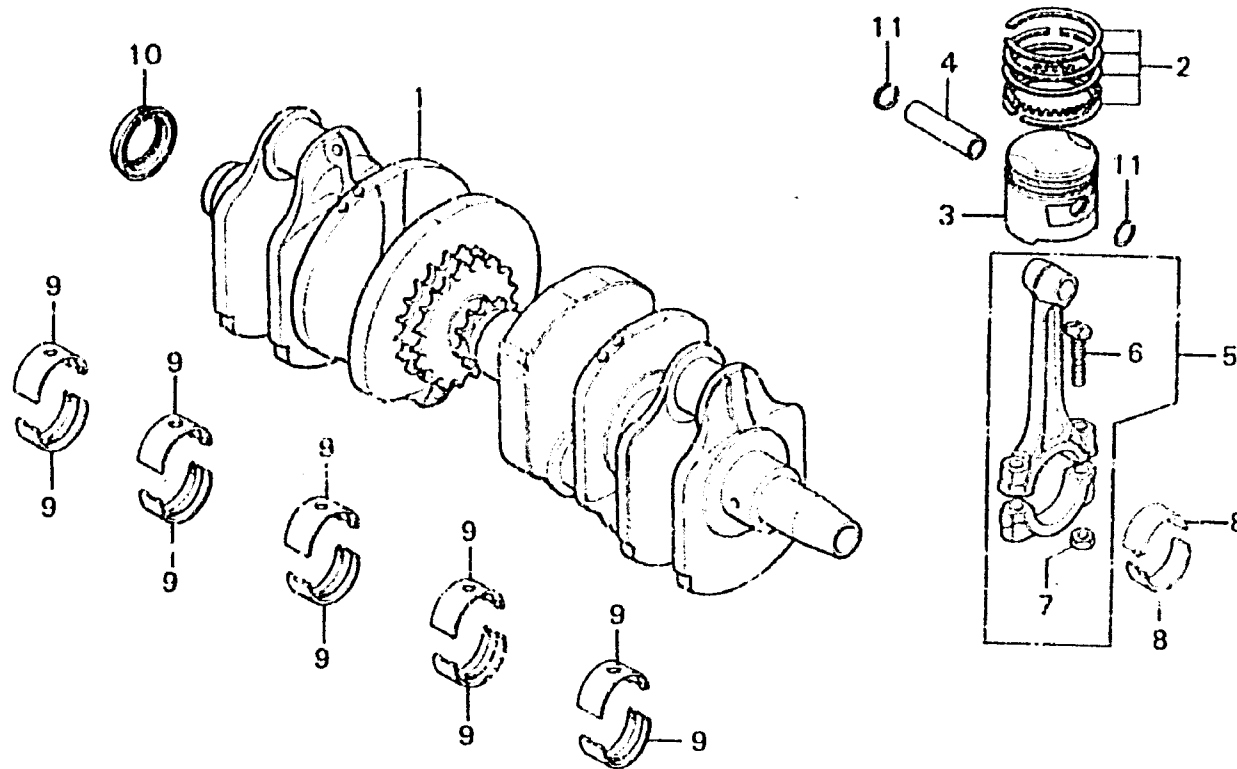


D 5

E-15

Crankshaft • Piston



E392-14A

Service item	F.R.T.	Ref. No.	Part No.	Description	Reqd. No. C9750K6	Serial No.	Area code
		9	13315-300-013	BEARING A, CRANKSHAFT (BLACK) (DA100)	10		
			13316-300-013	BEARING B, CRANKSHAFT (BROWN) (DA100)	10		
			13317-300-013	BEARING C, CRANKSHAFT (GREEN) (DA100)	10		
			13318-300-013	BEARING D, CRANKSHAFT (YELLOW) (DA100)	10		
		10	91201-300-003	OIL SEAL, 30Y42X8	1		
		11	94301-15000	CLIP, PISTON PIN, 15MM	8		

Selection table of crankshaft bearing
(Oil clearance 20-46.7)

Crankshaft Journal allowance 35a	(Oil clearance 20-46.7)		
	(Mark) A	B	C
0 ~ -0.005	-0.005 ~ -0.010	-0.010 ~ -0.015	
(Mark) C +0.024 +0.016	B (BROWN)	B (GREEN)	A (BLACK)
B +0.016 +0.008	C (GREEN)	C (GREEN)	B (BROWN)
A +0.008 0	D (YELLOW)	D (YELLOW)	C (GREEN)

1978.02.20

E-15