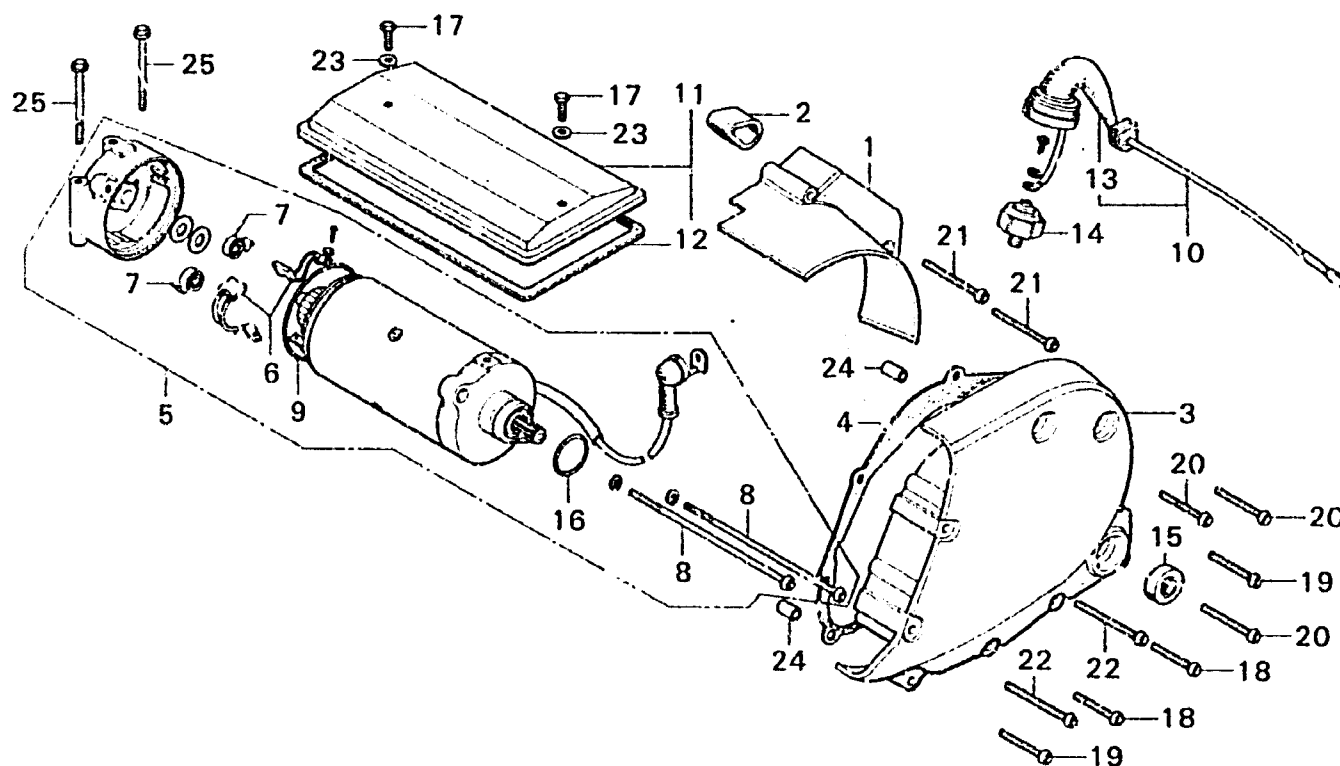


C 14

E-11

Starting motor •
Mission cover



B332-10

Service item	F.R.T.	Ref. No.	Part No.	Description	Reqd. No. CB750K6	Serial No.	Area code
CARBON BRUSH SET/BRUSH SPRING	1.1	1	11351-300-060	COVER, L. CRANKCASE RR.	1		
STARTING MOTOR ASSY.	0.9	2	11354-300-010	RUBBER, FINAL CHAIN GUIDE	1		
CRANKCASE MISSION COVER/14 x 28 x 7	0.3	3	11360-300-050	COVER, L. CRANKCASE	1		
OIL SEAL		4	11395-300-040	GASKET, TRANSMISSION COVER	1		
• OIL PRESSURE SWITCH		5	31200-300-030	MOTOR ASSY., STARTING	1		
MISSION COVER GASKET	0.2	6	31201-292-158	BRUSH SET, CARBON (MITSUBA)	1		
• OIL PRESSURE SWITCH CORD ASSY.		7	31204-292-158	SPRING, CARBON BRUSH (MITSUBA)	2		
L. CRANKCASE REAR COVER	0.1	8	31205-286-158	BOLT, STARTER MOTOR COVER SETTING (MITSUBA)	2		
• STARTING MOTOR COVER		9	31206-286-158	O-RING (MITSUBA)	1		
		10	31270-300-154	CORD ASSY., OIL PRESSURE SWITCH (SUMITOMO)	1		
		11	31280-300-000	COVER COMP., STARTING MOTOR	1		
		12	31282-300-020	PACKING, STARTING MOTOR COVER	1		
		13	31283-300-000	GROMMET, OIL PRESSURE SWITCH CORD	1		
		14	35500-300-000	SWITCH ASSY., OIL PRESSURE	1	2432459	A,CH
			35500-333-014	SWITCH ASSY., OIL PRESSURE (ND)	1	2432460	A,CH
					1		DK, DM, E, ED, F, G, U
		15	91206-286-005	OIL SEAL, 14X28X7	1		
			91206-286-013	OIL SEAL, 14X28X7	1		
		16	91309-300-000	O-RING, 24.4X3.1	1		
		17	92000-0601.2-02	BOLT, HEX., 6X12	2		
		18	93500-06032	SCREW, PAN., 6X32	2		
		19	93500-06036	SCREW, PAN., 6X36	2		
		20	93500-06040	SCREW, PAN., 6X40	3		

1978.02.20

E-11