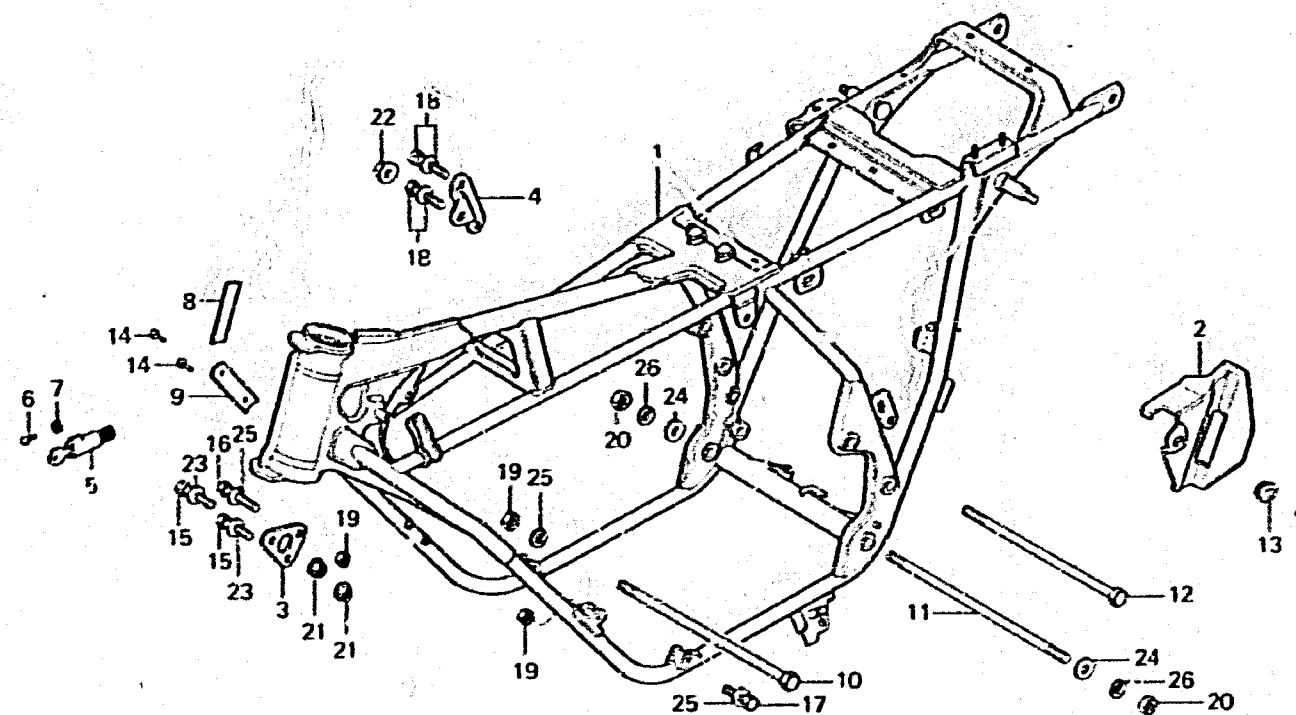


N 15

F-28

Frame body



B410-33A

Service item	F.R.T.	Ref. No.	Part No.	Description	Reqd. No. CB750 F2 F3	Serial No.	Area code
FRAME BODY COMP.	9.0	1	50100-410-000ZA	BODY COMP., FRAME *NH-1*	1		DK,DM
REAR ENGINE HANGER BRACKET	0.2		50100-410-610ZA	BODY COMP., FRAME *NH-1*	1		E,ED,F,3
FRONT ENGINE HANGER BRACKET	0.1		50100-410-670ZA	BODY COMP., FRAME *NH-1*	1		A,U
• STEERING HANDLE LOCK COMP.					1		CH
			50100-410-790ZA	BODY COMP., FRAME *NH-1*	1	2250001	2214075 A
		2	50260-393-770	PROTECTOR, CHAIN	1		A
		3	50351-300-040B	BRACKET, FR. ENGINE HANGER	1		
		4	50356-392-000	BRACKET, RR. ENGINE HANGER	1		
		5	53600-404-610	LOCK COMP., STEERING HANDLE	1		E,ED,F,3
		6	53603-051-000	RIVET, 4.1MM	1		E,ED,F,3
		7	53604-098-940	WASHER, 4.5MM	1		E,ED,F,3
		8	87125-041-680	PLATE, NAME	1		DK,DM
		9	87501-410-610	PLATE, REGISTERED NUMBER	1		E,ED,F,3
		10	90152-300-010	BOLT A, ENGINE HANGER	1		
		11	90155-393-770	BOLT, RR. ENGINE HANGER LOWER	1		
		12	90156-300-000	BOLT C, ENGINE HANGER	1		
		13	90513-405-000	WASHER, 6X9	1		
		14	90841-001-000	SCREW, RIVET, 1.5X5	2		E,ED,F,3
		15	92200-08060-0A	BOLT, HEX., 8X60	2		
		16	92200-10050-0A	BOLT, HEX., 10X50	1		
		17	92200-10080-0A	BOLT, HEX., 10X80	1		
		18	93482-08020-00	BOLT-WASHER, 8X20	2		
		19	94030-10200	NUT, HEX., 10MM	3		
		20	94030-12200	NUT, HEX., 12MM	2		
		21	94050-08000	NUT, FLANGE, 8MM	2		

1978.09.10