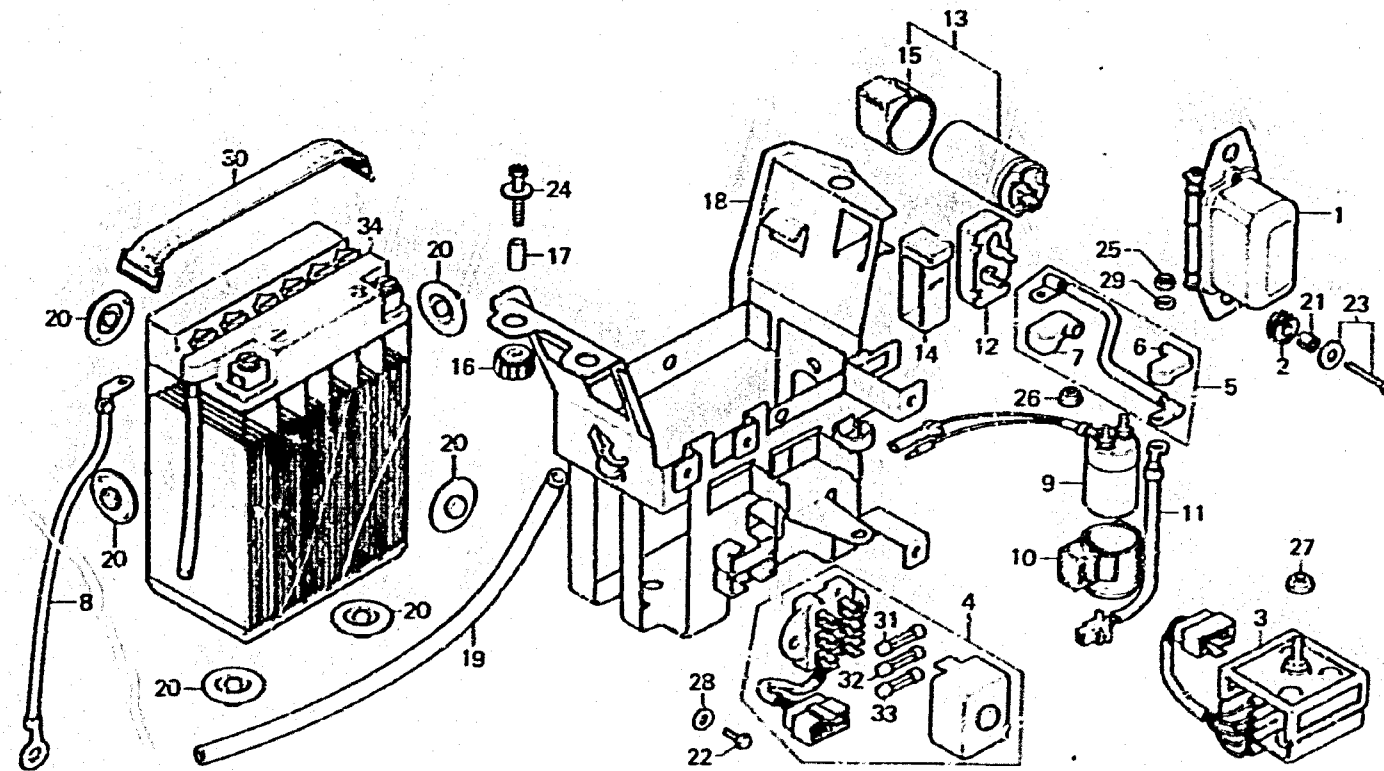


N 11

F-26

Battery • Regulator



B45-78

Service item	F.R.T.	Ref. No.	Part No.	Description	Reqd. No. CB750 F2 F3	Serial No.	Area code
BATTERY BOX	0.5	1	31400-300-035	REGULATOR ASSY. (HITACHI)	1 1		
STARTER MAGNETIC SWITCH	0.4	2	31403-300-000	RUBBER, REGULATOR CUSHION	2 2		
BATTERY	0.2	3	31700-341-015	RECTIFIER ASSY., SILICON	1 1		
• REGULATOR ASSY.		4	32110-341-702	BOX ASSY., FUSE	1 1		
• STARTER BATTERY CABLE		5	32401-392-000	CABLE, BATTERY STARTER	1 1		
RECTIFIER ASSY.	0.1	6	32412-300-010	COVER A, BATTERY TERMINAL	1 1		
• WINKER RELAY		7	32413-300-010	COVER B, BATTERY TERMINAL	1 1		
• FUSE/FUSE BOX		8	32601-392-000	CABLE, BATTERY EARTH	1 1		
		9	35850-375-000	SWITCH ASSY., STARTER MAGNETIC	1 1		
		10	35856-286-000	RUBBER, MAGNETIC SHOCK	1 1		
		11	35858-333-000	SU) CORD, MAGNETIC	1 1		
		12	38300-292-670	RELAY ASSY., WINKER	1 1		A, CH
		13	38300-405-612	RELAY ASSY., WINKER	1		;
			38300-405-701	RELAY ASSY., WINKER	1		DK, DM, E, ED, F, U
		14	38306-092-670	SUSPENSION, WINKER RELAY	1 1		A, CH
		15	38306-292-000	SUSPENSION, WINKER RELAY	1		DK, DM, E, ED, F, ;, U
		16	50323-300-010	RUBBER A, BATTERY	3 3		
		17	50324-300-000	COLLAR, BATTERY BOX	3 3		
		18	50325-405-000	BOX, BATTERY	1		
			50325-405-770	BOX, BATTERY		1	
		19	50326-341-670	TUBE ASSY., BATTERY	1 1		
		20	50327-300-000	RUBBER B, BATTERY	6 6		
		21	84706-286-000	COLLAR, NUMBER BRACKET SETTING	2 2		
		22	92000-05014-0A	BOLT, HEX., 5X14	2 2		
		23	93484-06020-08	BOLT-WASHER, 6X20	2		
			93494-06020-08	BOLT-WASHER, 6X20		2	

1978.09.10