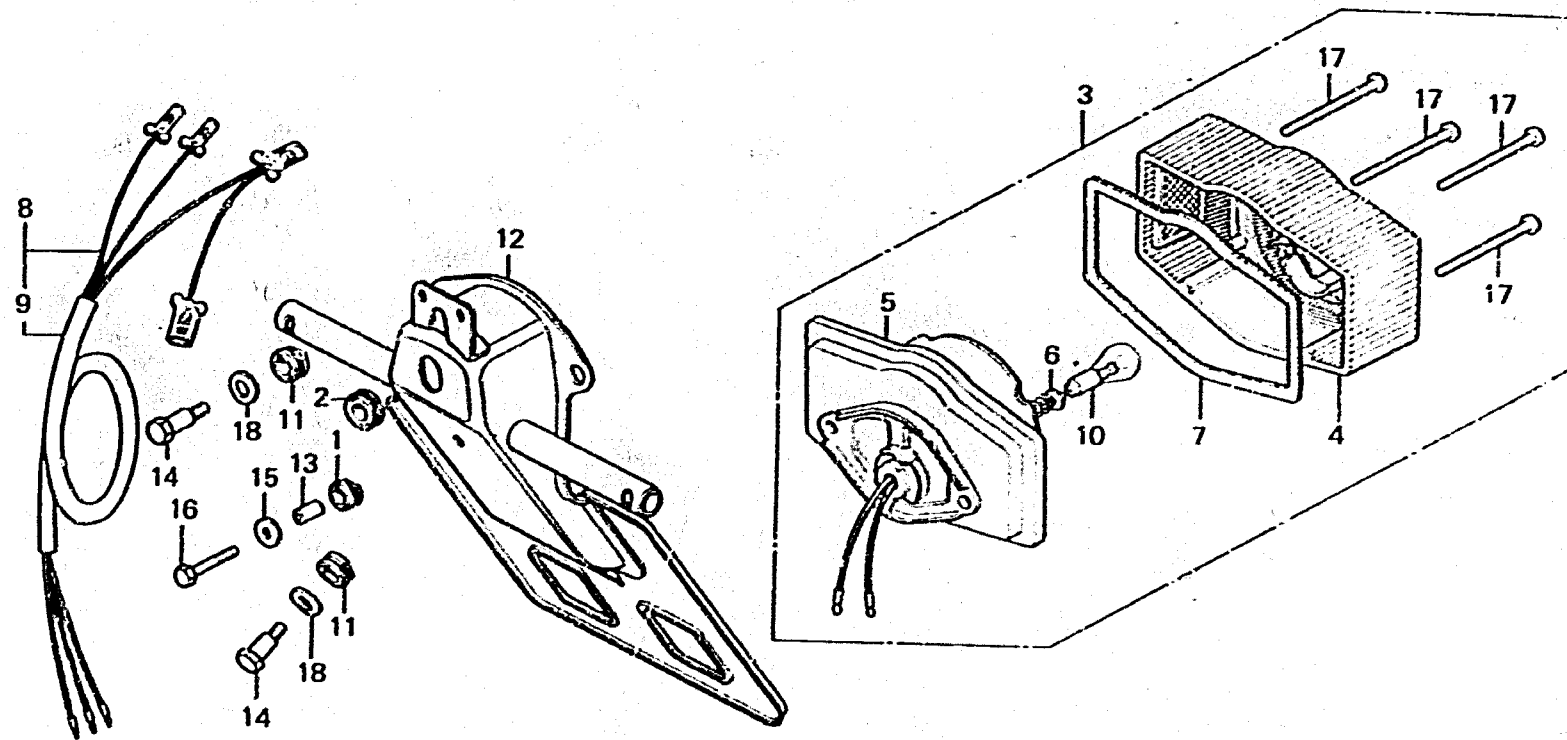


N 10

F-25-2

Taillight (E, ED, F, G)



B410-39

Service item	F.R.T.	Ref. No.	Part No.	Description	Reqd. No. CB750 F2 F3	Serial No.	Area code
NUMBER PLATE BRACKET	0.5	1	31403-300-000	RUBBER, REGULATOR CUSHION	2		E, ED, F, G
TAIL LIGHT UNIT/TAIL LIGHT BASE and those related parts	0.2	2	32983-028-000	GROMMET, WIRE HARNESS	1		E, ED, F, G
		3	33701-371-602	TAILLIGHT UNIT	1		E, ED, F, G
• TAIL LIGHT SUB CORD		4	33702-371-602	LENS, TAILLIGHT	1		E, ED, F, G
TAIL LIGHT LENS/BULB	0.1	5	33703-371-601	BASE COMP., TAILLIGHT	1		E, ED, F, G
		6	33708-371-601	CORD COMP., TAILLIGHT	1		E, ED, F, G
		7	33709-341-671	PACKING, TAILLIGHT LENS	1		E, ED, F, G
		8	33711-371-600	CORD, TAIL & STOP LIGHT	1		E, ED, F, G
		9	33720-300-000	TUBE, WIRE CORD	1		E, ED, F, G
		10	34911-634-611	BULB (12V21/5W) (LOCAL PROCUREMENT)	1		E, ED, F, G
		11	80101-283-000	RUBBER, RR. FENDER CUSHION	3		E, ED, F, G
		12	84701-410-6102A	BRACKET, NUMBER PLATE #NH-1*	1		E, ED, F, G
		13	84706-378-000	COLLAR, TAILLIGHT UNIT	2		E, ED, F, G
		14	90162-292-000	BOLT, FR. FENDER SETTING	3		E, ED, F, G
		15	90581-831-650	WASHER, 18MM	2		E, ED, F, G
		16	92000-05025-0A	BOLT, HEX., 5X25	2		E, ED, F, G
		17	93500-04055-0A	SCREW, PAN, 4X25	4		E, ED, F, G
		18	94101-08200	WASHER, PLAIN, 8MM	3		E, ED, F, G

1978.09.10