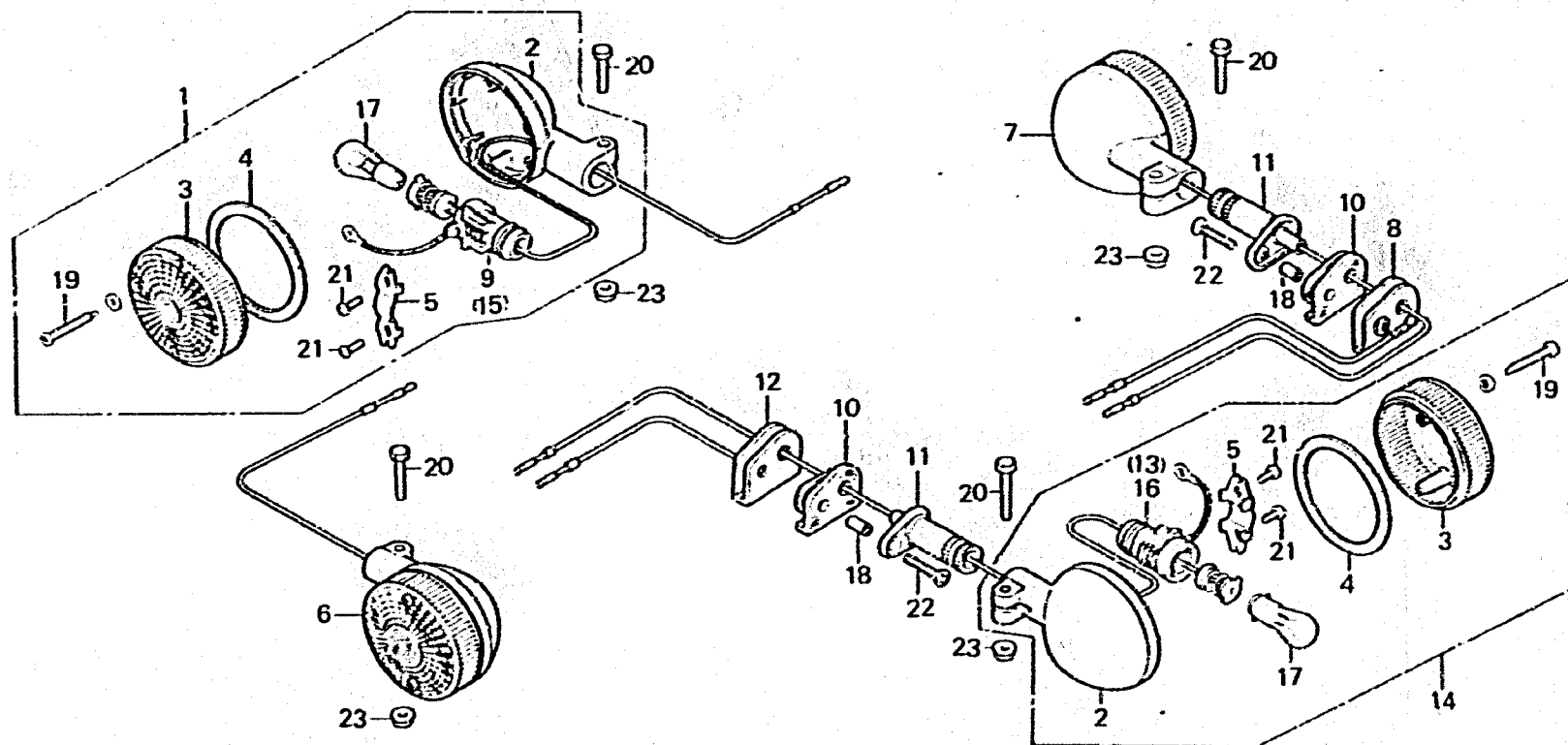


**N 6**

**F-24-1**

**Winker (DK, DM, U)**



B392-39A

Service item	F.R.T.	Ref. No.	Part No.	Description	Reqd. No. CB750 F2 F3	Serial No.	Area code
WINKER ASSY. and its related parts	0.2	1	33400-390-003	WINKER ASSY., R. FR.	1		DK,DM,U
		2	33401-390-003	BASE, R. FR. WINKER	4		DK,DM,U
• Add 0.1	0.1	3	33402-377-671	LENS, FR. WINKER	4		DK,DM,U
		4	33406-377-671	PACKING, WINKER LENS	4		DK,DM,U
• EXC. related parts below	0.1	5	33407-377-671	HOLDER, FR. WINKER SOCKET	4		DK,DM,U
		6	33450-390-003	WINKER ASSY., L. FR.	1		DK,DM,U
WINKER LENS/BULB	0.1	7	33600-390-003	WINKER ASSY., R. RR.	1		DK,DM,U
		8	33604-374-670	STOPPER, R. RR. WINKER	1		DK,DM,U
• When servicing comp., unit	0.1	9	33605-377-671	SOCKET COMP., R. WINKER	1		DK,DM,U
		10	33606-374-670	RUBBER, RR. WINKER MOUNT	2		DK,DM,U
F.R.T. is 0.2	0.1	11	33607-374-670	STAY, R. RR. WINKER	2		DK,DM,U
		12	33609-374-670	STOPPER, L. RR. WINKER	1		DK,DM,U
		13	33610-374-671	SOCKET COMP., R. RR. WINKER	1		DK,DM,U
		14	33650-390-003	WINKER ASSY., L. RR.	1		DK,DM,U
		15	33655-377-671	SOCKET COMP., L. WINKER	1		DK,DM,U
		16	33660-374-671	SOCKET COMP., L. RR. WINKER	1		DK,DM,U
		17	34905-268-671	BULB, WINKER (12V23W)	4		DK,DM,U
		18	80108-061-000	COLLAR & RR. FENDER	2		DK,DM,U
		19	90192-377-671	SCREW, PAN, 4X25	8		DK,DM,U
		20	93000-06035-02	BOLT, HEX., 6X35	4		DK,DM,U
		21	93500-03008-0H	SCREW, PAN, 3X8	8		DK,DM,U
		22	93700-06025-02	SCREW, OVAL, 6X25	2		DK,DM,U
		23	94050-06000	NUT, FLANGE, 6MM	4		DK,DM,U

1578.09.10