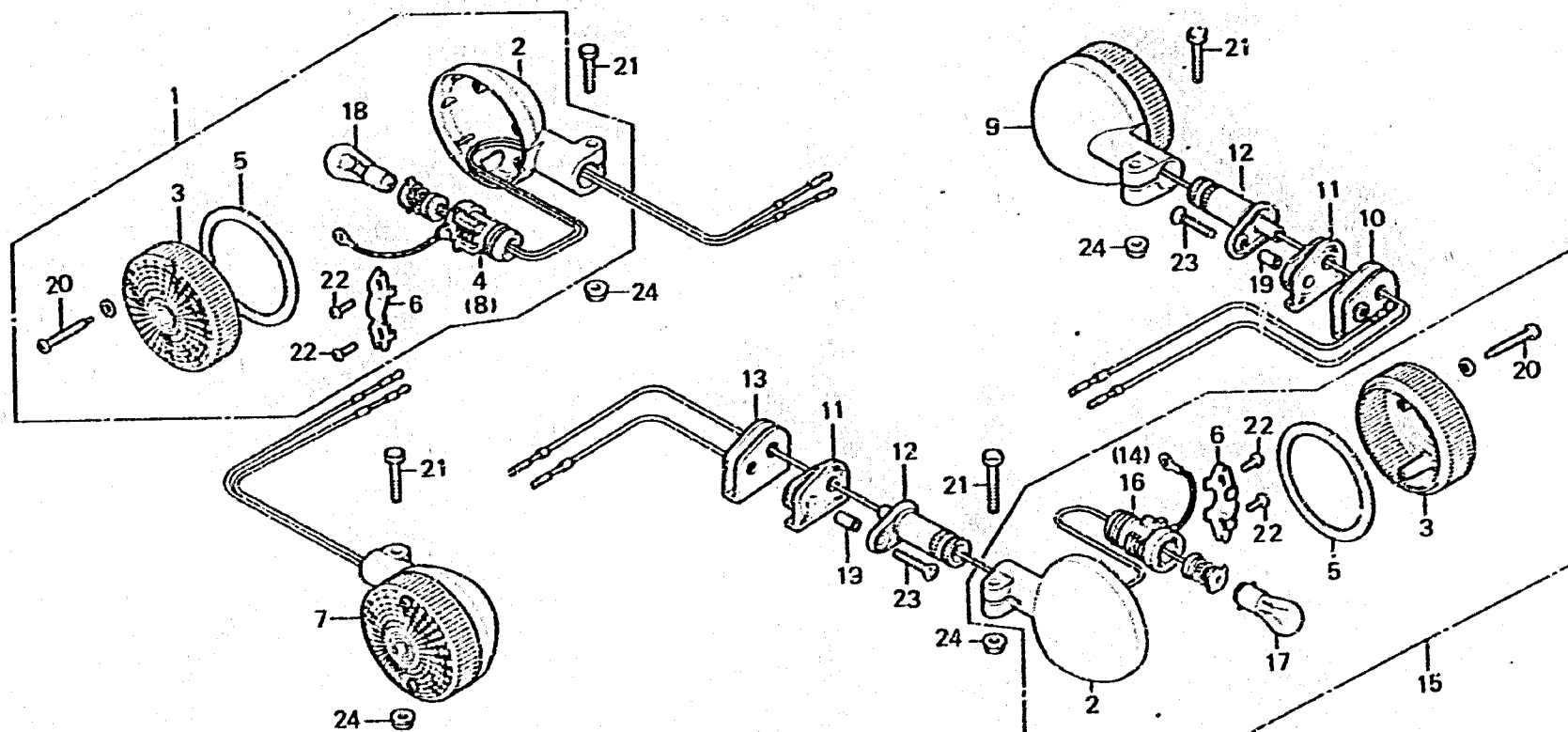


**N 5**

**F-24**

**Winker (A, CM)**



B410-29

Service item	F.R.T.	Ref. No.	Part No.	Description	Reqd. No. CB750 F2 F3	Serial No.	Area code
WINKER ASSY. and its related parts	0.2	1	33400-377-671	WINKER ASSY., R. FR.	1 1		A,CH
• Add 0.1		2	33401-377-671	BASE, R. FR. WINKER	4 4		A,CH
• EXC. related parts below		3	33402-377-671	LENS, FR. WINKER	4 4		A,CH
WINKER LENS/BULB	0.1	4	33405-377-671	SOCKET COMP., R. FR. WINKER	1 1		A,CH
• When servicing comp., unit		5	33406-377-671	PACKING, WINKER LENS	4 4		A,CH
F.R.T. is 0.2		6	33407-377-671	HOLDER, FR. WINKER SOCKET	4 4		A,CH
		7	33450-377-671	WINKER ASSY., L. FR.	1 1		A,CH
		8	33455-377-671	SOCKET COMP., L. FR. WINKER	1 1		A,CH
		9	33600-374-671	WINKER ASSY., R. RR.	1 1		A,CH
		10	33604-374-670	STOPPER, R. RR. WINKER	1 1		A,CH
		11	33606-374-670	RUBBER, RR. WINKER MOUNT	2 2		A,CH
		12	33607-374-670	STAY, R. RR. WINKER	2 2		A,CH
		13	33609-374-670	STOPPER, L. RR. WINKER	1 1		A,CH
		14	33610-374-671	SOCKET COMP., R. RR. WINKER	1 1		A,CH
		15	33650-374-671	WINKER ASSY., L. RR.	1 1		A,CH
		16	33660-374-671	SOCKET COMP., L. RR. WINKER	1 1		A,CH
		17	34905-268-671	BULB, WINKER (12V23W)	2 2		A,CH
		18	34906-313-671	BULB, STOP & TAIL LIGHT (12V23/8W)	2 2		A,CH
		19	80108-061-000	COLLAR A, RR. FENDER	2 2		A,CH
		20	90192-377-671	SCREW, PAN, 4X25	8 8		A,CH
		21	93000-06035-02	BOLT, HEX., 6X35	4 4		A,CH
		22	93500-03008-04	SCREW, PAN, 3X8	8 8		A,CH
		23	93700-06025-02	SCREW, OVAL, 6X25	2 2		A,CH
		24	94050-06000	NUT, FLANGE, 6MM	4 4		A,CH

1978.09.10