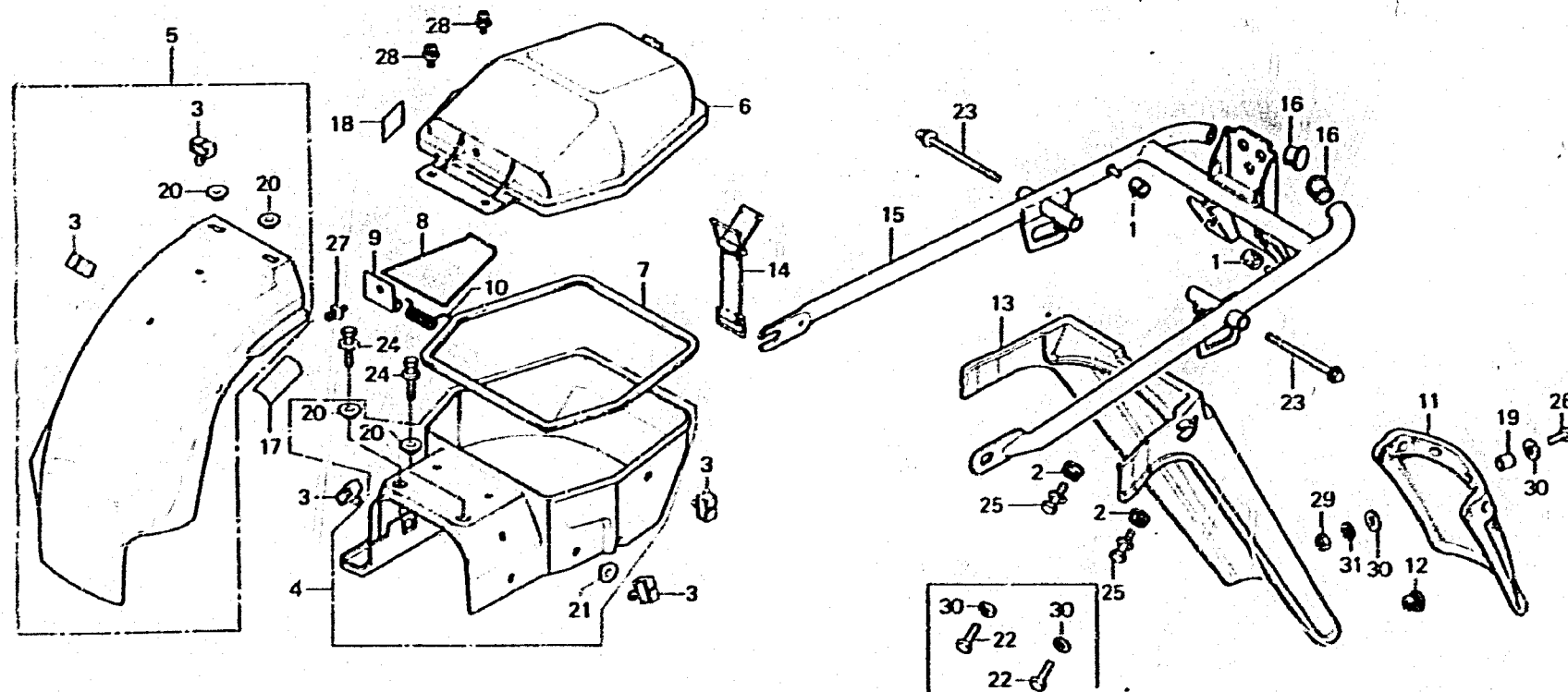


N 4

F-23

Rear fender



B410-288

Service item	F.R.T.	Ref. No.	Part No.	Description	Reqd. No. CB750 F2 F3	Serial No.	Area code
		23	92600-08085-08	BOLT, CAP, 8X85	2 2		
		24	93481-06028-00	BOLT-WASHER, 6X28	2 2		
		25	93494-06020-08	BOLT-WASHER, 6X20	2 2		H, CH, DK, DM, E, F, G, U
		26	93500-06020-49	SCREW, PAN, 6X20	4		ED
		27	93891-04008-07	SCREW-WASHER, 4X8	1 1		
		28	93891-04016-07	SCREW-WASHER, 4X16	2 2		
		29	94001-06000	NUT, HEX., 6MM	4		ED
		30	94101-06000	WASHER, PLAIN, 6MM	10		ED
		31	94111-06000	WASHER, SPRING, 6MM	4		ED

1978.09.10