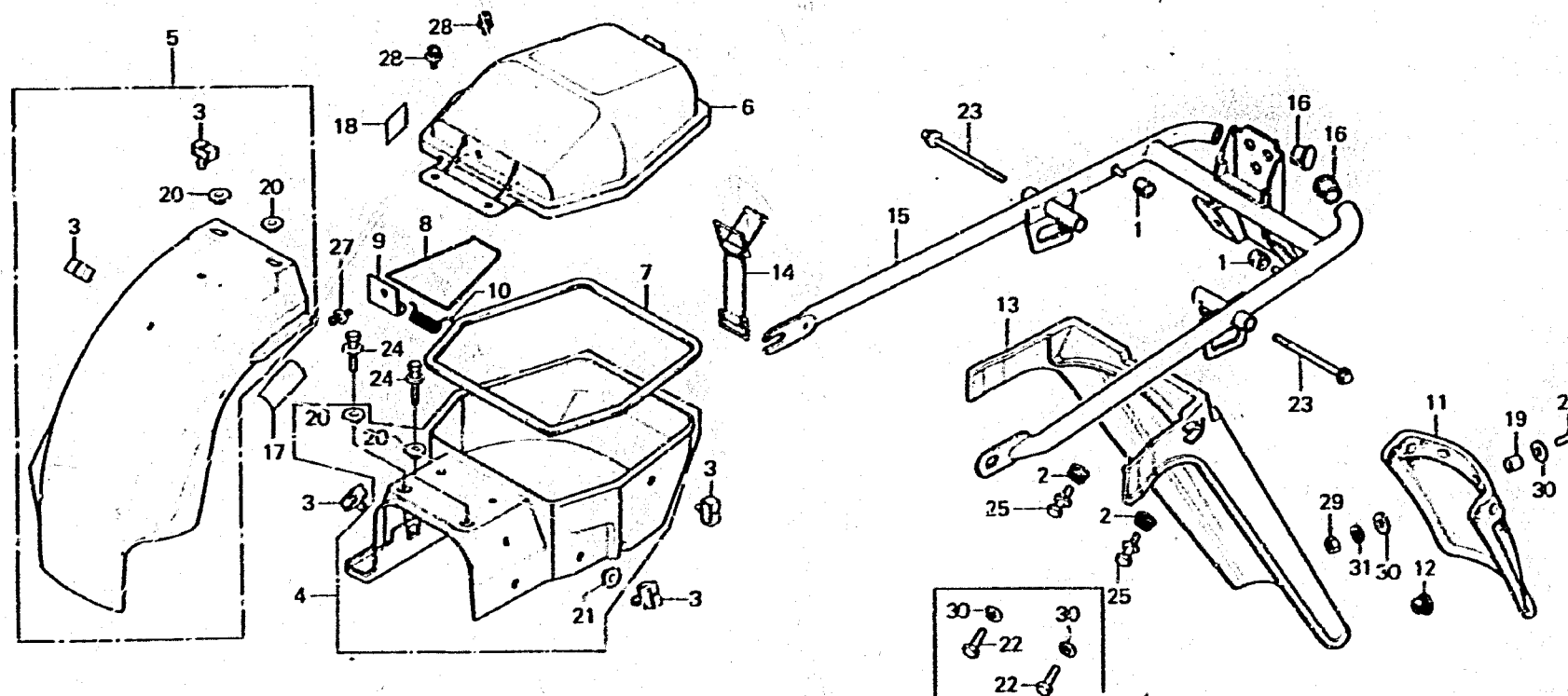


N 3

F-23

Rear fender



6410-288

Service item	F.R.T.	Ref. No.	Part No.	Description	Reqd. No. CB750 F2 F3	Serial No.	Area code
REAR BUMPER	0.4	1	17611-045-670	PAD, FUEL TANK FR.	2	2	
REAR FENDER A.	0.2	2	31403-300-000	RUBBER, REGULATOR CUSHION	2	2	A, CH, DK, DM, E, F, G, U
• REAR FENDER B.		3	32985-300-000	GROMMET, WIRE CORD	5	5	
• REAR FENDER CAP A.		4	80100-392-000	FENDER A, RR.	1	1	
• REAR FENDER C.		5	80105-341-010	FENDER B, RR.	1	1	
CLAMP BAR and its related parts	0.1	6	80110-392-000	CAP A, RR. FENDER	1	1	
• REAR FENDER SEAL RUBBER		7	80111-392-000	RUBBER, RR. FENDER SEAL	1	1	
		8	80112-392-000	BAR, CLAMP	1	1	
		9	80113-392-000	BASE, CLAMP	1	1	
		10	80114-392-000	SPRING, CLAMP RETURN	1	1	
		11	80121-323-630	MUDGUARD, RR. FENDER	1		ED
		12	80124-351-000	PLUG, RR. FENDER	(4)		ED
		13	80250-392-600	FENDER C, RR.	1		ED
			80250-410-000	FENDER C, RR.	1	1	A, CH, DK, DM, E, F, G, U
		14	83606-356-000	GAND, SIDE COVER	1	1	
		15	84101-410-000	BUMPER, RR.	1	1	A, CH, DK, DF, U
			84101-410-610	BUMPER, RR.	1		E, ED, F, G
		16	84103-392-000	CAP, RR. BUMPER	2	2	
		17	87506-405-000	MARK, BATTERY CAUTION	1		
			87506-405-770	MARK, BATTERY CAUTION		1	
		18	87512-371-670	MARK, ACCESSORIES & LOADING CAUTION	1	1	A, CH
		19	90325-323-630	COLLAR, RR. MUDGUARD	4		ED
		20	90512-300-000	WASHER, 6X20	4	4	
		21	90512-392-000	WASHER, 8X20	2	2	
		22	92060-06012	BOLT, HEX., 6X12	2		ED

1978.09.10