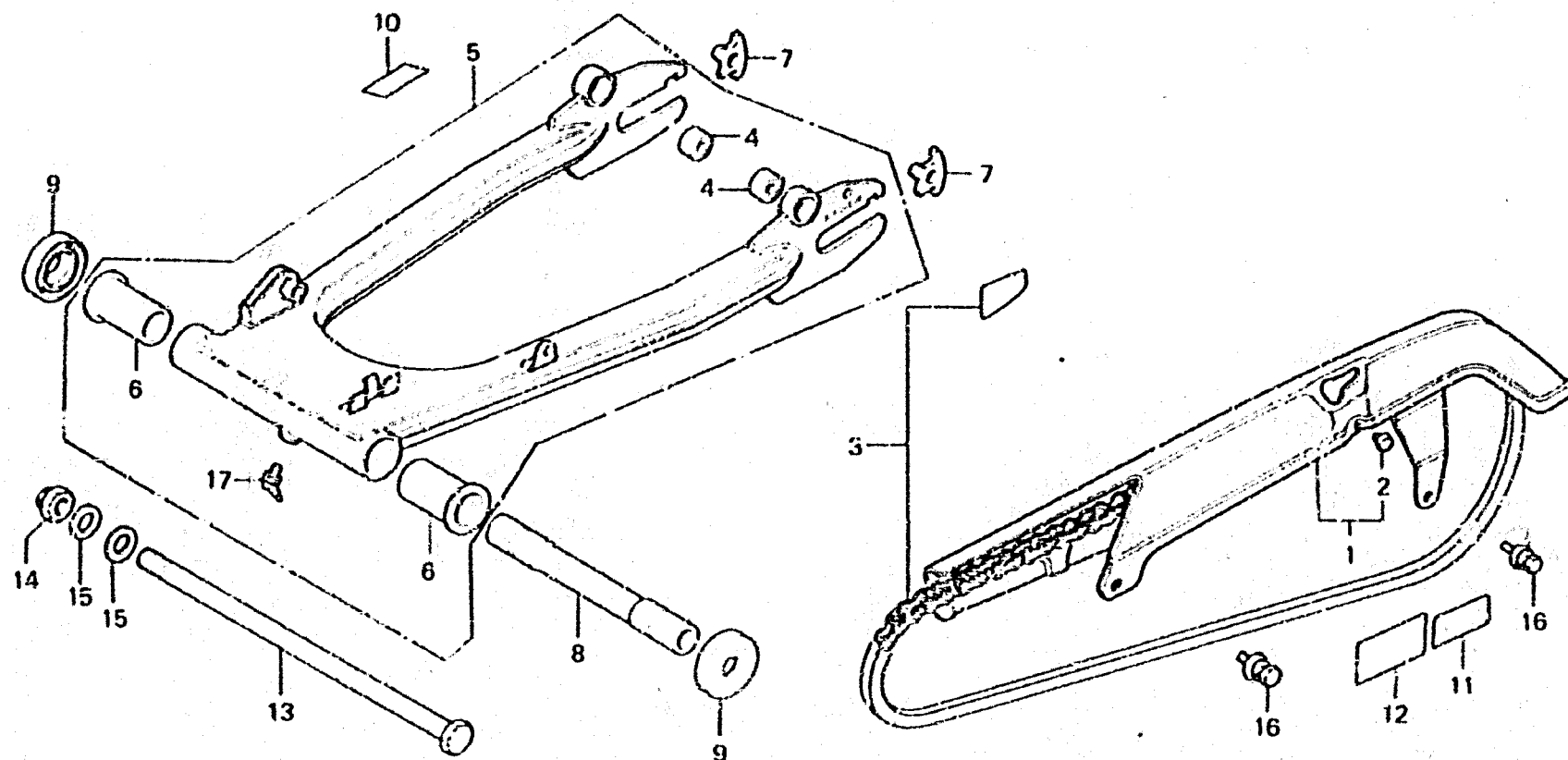


M 16

F-21

Rear fork •
Drive chain • Chain case



E110-27

Service item	F.R.T.	Ref. No.	Part No.	Description	Recd. No.		Serial No.	Area code
					CB750	F2 F3		
REAR CUSHION UNDER RUBBER BUSH	1.0	1	40510-410-000	CASE, DRIVE CHAIN	1	1		
• REAR FORK PIVOT BUSH		2	40514-333-000	PLUG, CHAIN CASE	1	1		
• One or all		3	40530-405-305	CHAIN SET, DRIVE	1			A, CH
REAR FORK ASSY. and its related parts	0.8		40535-405-671	CHAIN SET, DRIVE	1			DK, DM, E, ED, F, S, U
DRIVE CHAIN SET	0.7			(DID6300L-88L ENDLESS)		1		
REAR FORK CENTER COLLOR	0.6			(KX63050-88L ENDLESS)		1		
DRIVE CHAIN CASE	0.1		40530-405-335	CHAIN SET, DRIVE		1		
			40530-405-345	(DID630V-88L ENDLESS)		1		
			40535-405-672	CHAIN SET, DRIVE (88L)	1	1		
		4	40548-268-000	CHAIN SET, DRIVE (88L)	1	1		
			40548-268-000	BUSH, RR. CUSHION UNDER RUBBER	2	2		
		5	52100-410-000ZA	FORK ASSY., RR. *NH-1*	1	1		
		6	52108-457-300	BUSH, RR. FORK PIVOT	2	2		
		7	52136-405-000	STOPPER, CHAIN ADJUSTER	2	2		
		8	52141-390-000	COLLAR, RR. FORK CENTER	1	1		
		9	52144-362-000	CAP, RR. FORK DUST SEAL	2	2		
		10	87504-028-670	MARK, MUFFLER CAUTION	1	1		A, CH
		11	87505-410-670	MARK, TIRE CAUTION	1	1		A, CH
			87505-410-680	MARK, TIRE CAUTION	1			DK, DM, E, ED, F, S, U
		12	87507-405-670	MARK, CHAIN CAUTION	1	1		
		13	90121-393-770	BUSH, RR. FORK PIVOT	1	1		
		14	90354-268-000	NUT, SELF LOCK, 14MM	1	1		
		15	90526-268-000	WASHER, RR. FORK PIVOT BOLT	2	2		
		16	93483-06014-00	BOLT-WASHER, 6X14	2	2		
		17	96201-80000	WIPPLE, GREASE, 8.765	1	1		

1978.09.10