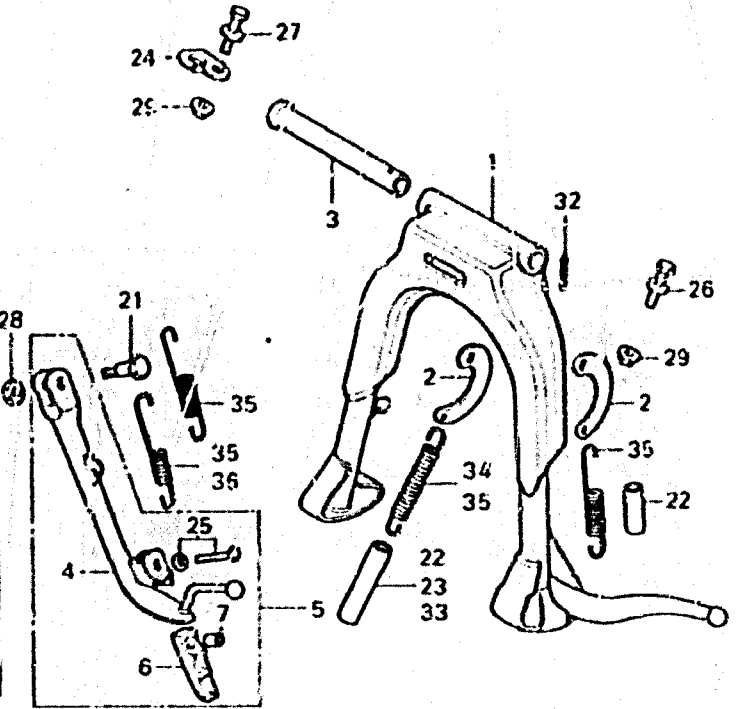
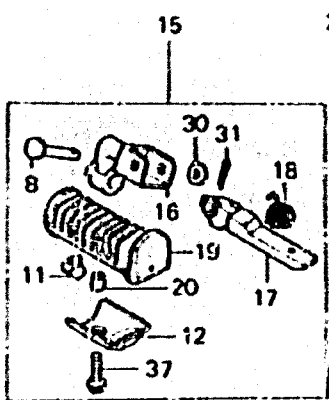
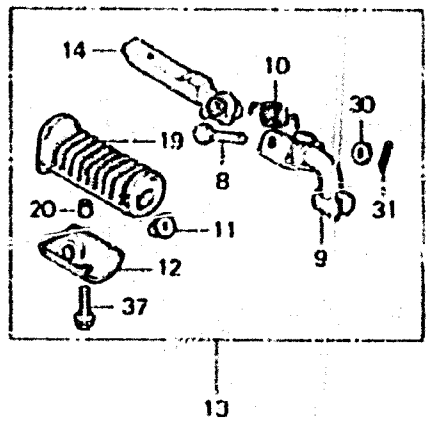


M 14

F-19

Step - Stand



6410-259

| Service item | F.R.T. | Ref. No. | Part No.       | Description                         | Reqd. No.<br>CB750<br>F2 F3 | Serial No. | Area code                  |
|--------------|--------|----------|----------------|-------------------------------------|-----------------------------|------------|----------------------------|
|              |        | 21       | 90108-283-000  | SCREW, SIDE STAND PIVOT             | 1                           |            |                            |
|              |        | 22       | 90125-404-610  | COVER, MAIN STAND SPRING            | 2                           |            | J                          |
|              |        | 23       | 90125-410-000  | COVER, MAIN STAND SPRING            | 1                           |            | A, CH, DK, DM, U           |
|              |        | 24       | 90514-341-670  | WASHER, BATTERY BREATHER TUBE GUIDE | 1                           |            |                            |
|              |        | 25       | 93481-06028-00 | BOLT-WASHER, 6X26                   | 1                           |            | A, CH, J                   |
|              |        | 26       | 93481-08040-00 | BOLT-WASHER, 8X40                   | 1                           |            |                            |
|              |        | 27       | 93481-08045-00 | BOLT-WASHER, 8X45                   | 1                           |            |                            |
|              |        | 28       | 94030-10000-05 | NUT, HEX., 10MM                     | 1                           |            |                            |
|              |        | 29       | 94050-08000    | NUT, FLANGE, 8MM                    | 2                           |            |                            |
|              |        | 30       | 94101-08000    | WASHER, PLAIN, 8MM                  | 2                           |            |                            |
|              |        | 31       | 94201-16150    | PIN, SPLIT, 1.6X15                  | 2                           |            |                            |
|              |        | 32       | 94201-25300    | PIN, SPLIT, 2.5X30                  | 1                           |            |                            |
|              |        | 33       | 95003-50007-20 | TUBE, VINYL, 16X19X70               | 1                           |            | E, ED, F                   |
|              |        | 34       | 95014-71702    | SPRING S, MAIN STAND                | 1                           |            | A, CH, DK, DM, U           |
|              |        |          | 95014-71802    | SPRING, MAIN STAND                  | 1                           |            | E, ED, F                   |
|              |        | 35       | 95014-72102    | SPRING A, SIDE STAND                | 4                           |            | G                          |
|              |        | 36       | 95014-72402    | SPRING D, SIDE STAND                | 1                           |            | A, CH, DK, DM, E, ED, F, U |
|              |        | 37       | 95700-06018-00 | BOLT, FLANGE, 6X18                  | 2                           |            |                            |

1978.09.10