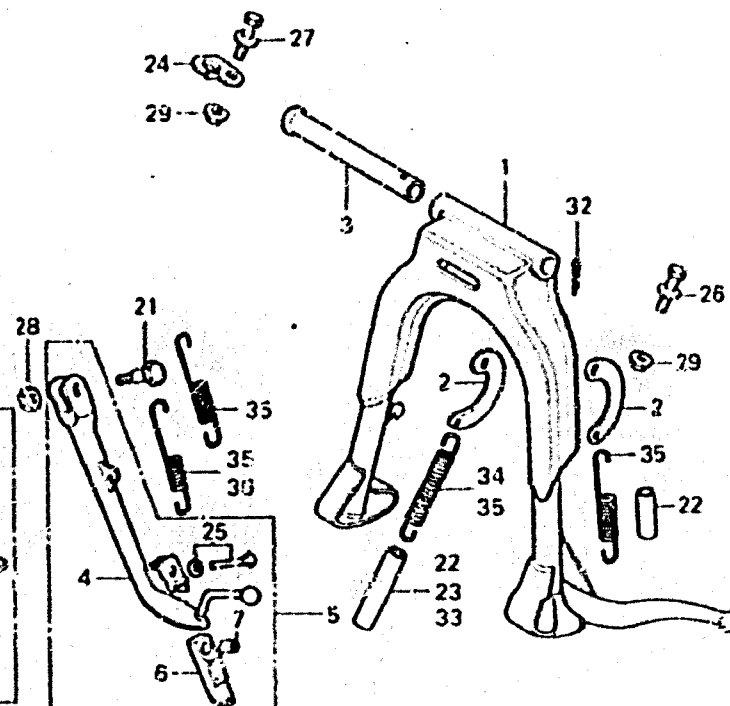
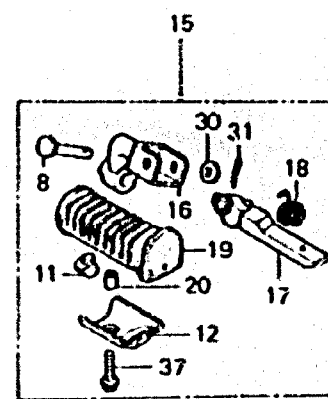
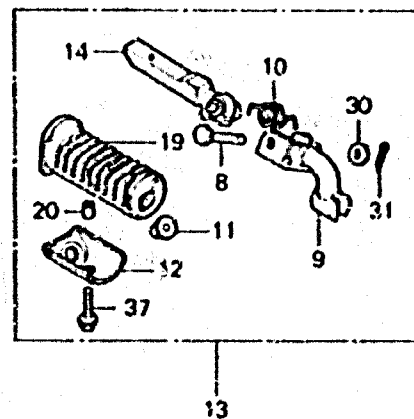


M 13

F-19

Step • Stand



B410-25B

Service item	F.R.T.	Ref. No.	Part No.	Description	Reqd. No.		Serial No.	Area code
					CB750	F2 F3		
MAIN STAND/PIVOT PIPE	0.5	1	50500-410-000	STAND, MAIN	1	1		A, CH, DK, DM, E, ED, F, U
SIDE STAND BAR/PIVOT SCREW	0.2		50500-410-610	STAND, MAIN	1			G
• MAIN STAND SPRING/SPRING PLATE		2	50523-300-010	PLATE, MAIN STAND SPRING	1	1		A, CH, DK, DM, E, ED, F, U
STEP and its related parts	0.1				2			G
• STAND RUBBER/SIDE STAND SPRING		3	50526-300-000	PIPE, MAIN STAND PIVOT	1	1		DK, DM, E, ED, F, U
		4	50530-390-680	STAND COMP., SIDE	1			A, CH
		5	50540-390-000	BAR ASSY., SIDE STAND	1	1		J
			50540-390-610	BAR ASSY., SIDE STAND	1			
		6	50548-356-700	RUBBER, STAND	1	1		A, CH, J
		7	50549-356-700	COLLAR, STAND RUBBER SETTING	1	1		A, CH, J
		8	50603-033-000	PIN, STEP BAR JOINT	2	2		
		9	50615-410-000	BAR COMP., R. STEP	1	1		
		10	50617-300-000	SPRING, R. STEP RETURN	1	1		
		11	50618-405-000	SLIDER, STEP	2		1007466	DK, DM, E, ED, F, J, U
					2		2211665	A, CH
			50618-431-670	SLIDER, STEP	2	2	1007467	DK, DM, E, ED, F, J, U
					2		2211666	
		12	50619-405-000	STOPPER, STEP RUBBER	2	2		
		13	50630-410-000	STEP ASSY., R.	1	1		
		14	50632-405-000	ARM, R. STEP	1	1		
		15	50640-410-000	STEP ASSY., L.	1	1		
		16	50641-410-000	BAR COMP., L. STEP	1	1		
		17	50642-405-000	ARM, L. STEP	1	1		
		18	50644-300-670	SPRING, L. STEP RETURN	1	1		
		19	50661-405-000	RUBBER, STEP	2	2		
		20	54706-286-000	COLLAR, NUMBER BRACKET SETTING	2	2		

1978.09.10